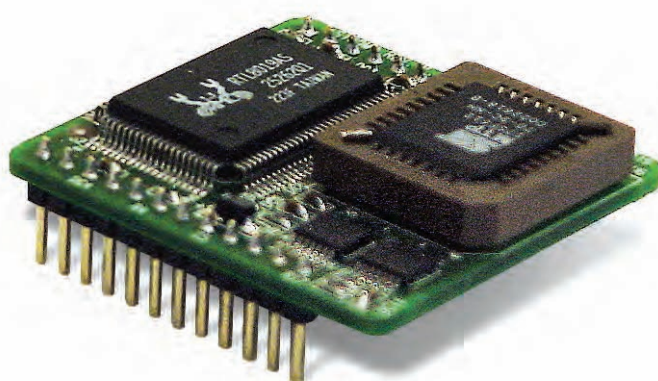


HelloDevice Life Series, LS100M

Embedded Serial Device Server

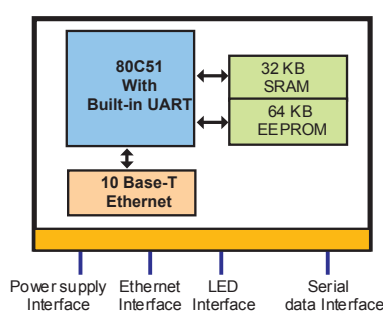


Features

- Connects legacy serial devices to 10Base-T Ethernet network
- Supports RS232 based serial devices via its DB9 serial port
- Serial data transfer rate up to 115Kbps
- Reliable TCP/IP protocol stack
- PPPoE protocol for DSL connection to broadband network
- Low-price model for lowest transition cost
- Configuration via Telnet or serial port
- Management software for configuration and administration included

The HelloDevice LS100M is a cost-effective and easy-to-use single-chip Serial-Ethernet communication module for system integrators and manufacturers who need a way to rapidly network-enable their devices at a minimal transition cost. The HelloDevice LS100M is designed for integration into user devices by on-board installation. On one end, the HelloDevice LS100M is connected to the device via built-in UART interface. On the other end, it is connected to the Ethernet RJ45 connector on the board.

Within the single-chip DIL package, the HelloDevice LS100M has its own built-in microprocessor, internal flash memory, SRAM, UART and built-in Ethernet controller that handle the entire communication between devices and the Ethernet network.



Based on open network protocols such as TCP/IP, the HelloDevice LS100M gives you ultimate flexibility to your devices integrated with it. With PPPoE (PPP-over-Ethernet) connection feature of the HelloDevice LS100M, the integrated devices could be managed over DSL-based broadband network.

For the system parameter configuration, several interfaces are provided including menu-driven Telnet, HelloDevice Manager software over network and command-driven serial port.

Typical application areas of the HelloDevice LS100M are:

- Industrial Automation systems
- Retail/Point of Sale terminals
- Remote metering systems
- Building automation systems
- Security/Access control systems
- General data acquisition application
- Medical instrumentation system

The HelloDevice LS100M gives you an ideal way to develop network-enabled devices for your own application.

SENA
www.sena.com

The product specification is subject to change without prior notice.

HelloDevice Lite Series, LS100

Embedded Serial Device Server

Specifications

Hardware	80C51 8-bit microprocessor 32KB SRAM 64KB EEPROM
External Interface pins	20-pin DIL connector interface UART Ethernet LED Power
Device Interface	Built-in UART Serial speeds 1200bps to 115Kbps Flow Control: Hardware RTS/CTS, XON/XOFF Signals: Rx, Tx, RTS, CTS, DTR, DSR, GND
Network Interfaces	10 Base-T Ethernet Supports static and dynamic IP address
Protocols	ARP, IP/ICMP TCP Telnet DHCP client

Security	User ID & Password
Management	Telnet Serial console port HelloDevice Manager Firmware Stored in Flash memory and downloadable via Telnet or Serial console port
Power	Supply voltage: 5V DC Supply current: 110mA (nom.)
Environmental	Operating temperature: 5°C to 50°C Storage temperature: -40°C to 66°C
Physical properties	Dimension (L x W x H) 46 x 38 x 15(mm) 1.8 x 1.5 x 0.6 (in.) Weight: 30g
Approvals	FCC(A), CE, MIC
Warranty	1-year limited warranty

Ordering Information

LS100M Single-Chip Ethernet Communication Module with built-in UART HelloDevice

LS100M-SK Starter's kit for LS100M

Includes Quick Start Guide
CD-ROM
Carrier board
Serial data cable
External 110V or 230V power supply



For more information, please visit us at <http://www.sena.com>

U.S. / Canada / South America
Tel : +1 (408) 262-6762 Fax: +1 (408) 907-3738

EU / Africa
Tel : +33 (0) 1 53 53 16 29 Fax: +33 (0) 1 53 53 14 00

Asia / Pacific
Tel : +82-2-571-8283 Fax: +82-2-573-7710

Contact us via E-mail
General Information : info@sena.com
Sales & Distribution : sales@sena.com
Technical Support : support@sena.com

SENA
www.sena.com