



Ideal Console Management Solution!

VTS400/800/1600/3200



Features

- ✔ Remote management of servers, racks switches and any other network equipments over the 10/100 Base Ethernet network or dial-up connection
- ✔ Supports 4/8/16/32 serial ports with data transfer rate up to 230Kbps In-band management of devices over wired/wireless LAN
- ✔ Out-of-band management through dial-in access or broadband network such as ADSL and cable
- ✔ Various PC card support through PCMCIA interface including ATA memory modem and wired/wireless LAN card
- ✔ Port logging/buffering using built-in RAM disk or ATA storage card or NFS server or SYSLOG server
- ✔ Email alarm notification to the ADAdministrator
- ✔ Supports strong security protocols such as SSH, RADIUS, LDAP, TACACS+ and Kerberos
- ✔ Support Dynamic DNS and PPPoE protocols for broadband network connectivity
- ✔ Sun Solaris Safe
- ✔ Configuration via web, telnet, SNMP or system console

The VTS Series is a Console Management Server, providing unlimited access to remote network and telecom equipments, helping you maintain optimum system performance and availability.

Featuring PCMCIA slot for enhanced functionality, the VTS Series supports many PC cards such as Wired/Wireless LAN card to access another network for back up purpose, phone-line modem card for out-of-band access to the VTS with an external modem, and Flash Memory card to store the VTS system log and port log data safely. Flexible solution, the VTS offers high density with 32 serial ports to manage the equipment in a Internet data centre using the minimum space.

The security features of VTS Series limits access to only authorized users, using user names and passwords, authentication and Secure Shell (SSH) with public key, provides strong user authentication and protection for the port access.

Available in 4/8/16 and 32 port models, the VTS Series is the cost effective and true integrated solution for network managers to manage the network and telecom equipment securely.

The cost effective and scalable Console Management solution, the VTS, would be the true integrated solution for network managers to manage the network and telecom equipments securely from anywhere in the world

VTS Series

Specification

	VTS400	VTS800	VTS1600	VTS3200
SerialInterface	4-Port	8-Port	16-port	32-port
	RJ45 Sun/Netra straightthrough cable pinout			
	Serial speed 1200bps~230Kbps			
	Flow Control: Hardware RTS/CTS, Software XON/XOFF			
	Signals: RS232 Rx, Tx, RTS, CTS, DTR, DSR, GND			
	Modem controls: DTR/DSR and RTS/CTS			
Network Interfaces	10/100 Basic Ethernet with RJ45 Ethernet connector			
	Supports static and dynamic IP address			
Protocols	ARP, IP/ICMP TCP, UDP Telnet DNS, Dynamic DNS HTTP, SMTP, DHCP PPPoE SNMP v1 & v2 (MIB II) RIP, Static routing			
PCMCIA	One of the following PC card support ATA storage card 802.11b Wireless LAN card Modem card			
Security	User ID & Password			
	User group management Admin, Port Admin, User			
	SSH			
	RADIUS, LDAP, TACACS+, Kerberos			
	IP filtering			
Management	Web, Telnet, Serial console port, HelloDevice Manager			
	System log storage up to 100 messages Automatic email delivery of error log			
	Full featured system status display			
	Firmware Stored in Flash memory and downloadable via web or serial console			
LED indicator	Power In Use PC Card Link, Act, 100Base Serial Ready/Rx/Tx for each serial port			
Power	5 VDC external power adapter 1.5A/5VDC		110~250 VAC, 50/60 Hz 43W	
Environmental	Operating temperature: 5°C to 50°C Storage temperature: -4°C to 66°C			
Physical properties	Dimension		Dimension	
	245 mm L (9.6 in.) 153 mm W (6.0 in.) 30 mm H (1.2 in.)		432 mm L (17 in.) 193 mm W (7.6 in.) 44.5 mm H (1.75 in.)	

PC Card support list

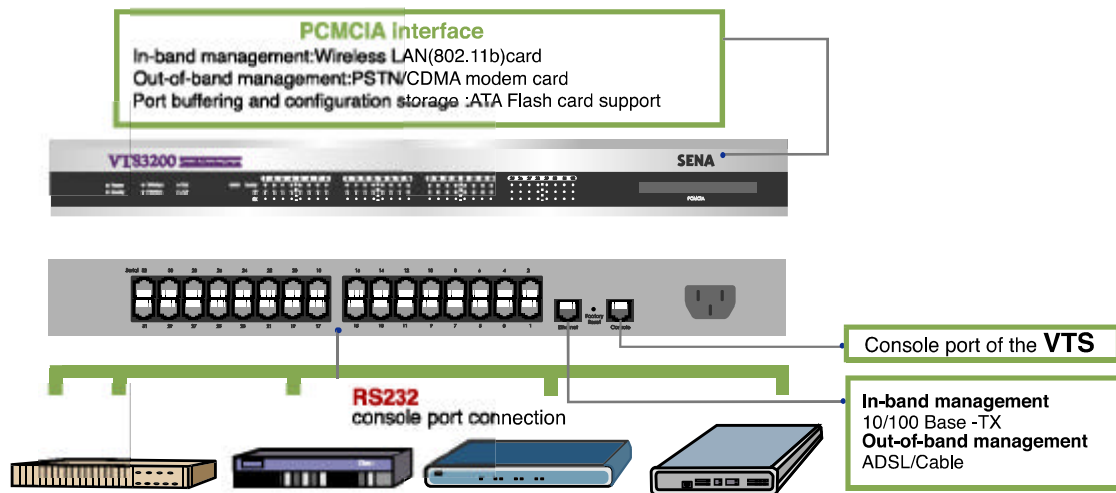
LAN card 3COM Megahertz 589E 10Mbps, Linksys EtherFast 10/100 PCM100

Wireless LAN Cisco Aironet340

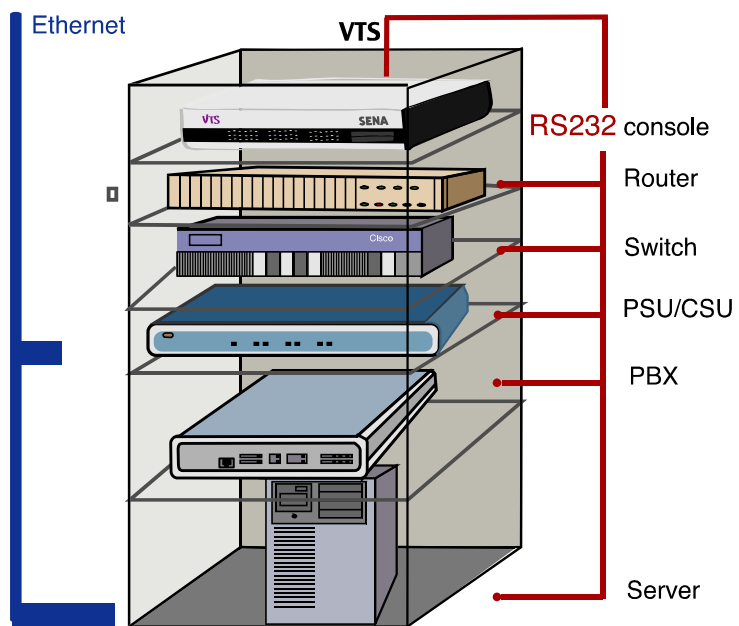
ATA Flash card SanDisk, Advantech, Viking, Kingston

Modem Viking, KingMax, Billionton systems, TDK

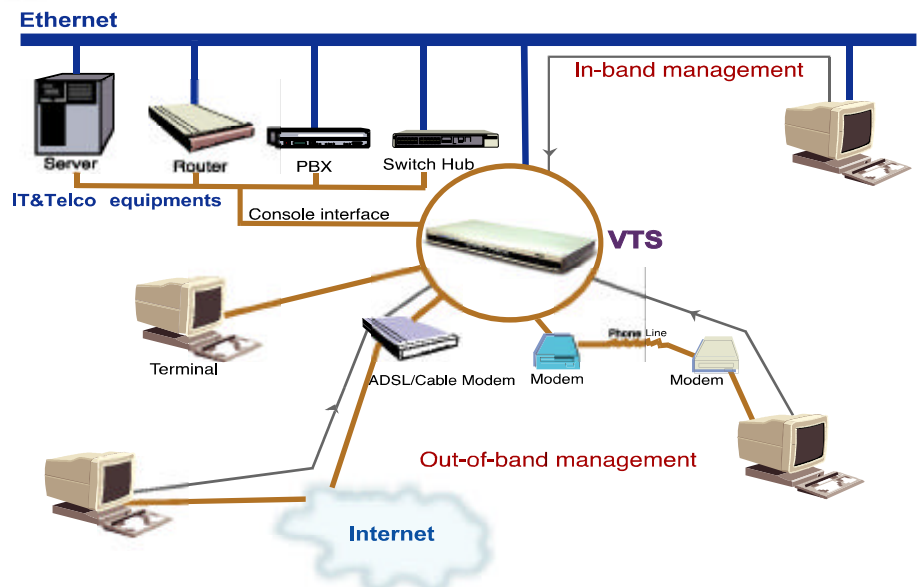
Panel Diagram



Installation diagram



Application diagram



Connections

Devices	Console port	Cable kit Usage
Cisco equipments Sun Netra servers	RJ45	Console/Ethernet cable (#EP0601014)
Nortel equipments Other DB9 DTE devices	DB9 male	Console/Ethernet cable (#EP0601014) + RJ45-DB9F cross-over adapter (#EP0401078)
Serial printers DB25 DTE devices	DB25 male	Console/Ethernet cable (#EP0601014) + RJ45-DB25F cross-over adapter (#EP0401079)
Sun Sparc servers Other DB25 DTE devices	DB25 female	Console/Ethernet cable (#EP0601014) + RJ45-DB25M cross-over adapter (#EP0401080)
Modem ISDN terminal adapters	DB25 male	Console/Ethernet cable (#EP0601014) + RJ45-DB25M straight adapter (#EP0401081)

Odering Information

VTS400 4-port Console Management Server
VTS800 8-port Console Management Server
VTS1600 16-port Console Management Server
VTS3200 32-port Console Management Server

All items includes Quick Start guide
 CD-ROM
 Cable kit
 Power cord
 Rack mounting kit

Optional accessories Loopback connector

Console/Ethernet cable

RJ45 to DB9F cross-over adapter

RJ45 to DB25M/F cross-ovr adapter
 RJ45 to DB25M straight adapter



For more information, please visit us at <http://www.sena.com>

Corporate

210 Yangjae-dong Seocho-gu
 Seoul 137-130 Korea
info@sena.com

Sales

phone +82.2.529.7024
sales@sena.com

Support

phone +82.2.573.5422
support@sena.com