

Parani-ESD100/110/200/210

User Guide

Version 1.0.4

2006-11-23

User Guide for the Parani-ESD100/110/200/210

Version 1.0.4

Firmware version 1.0.X

Last revised on November 23, 2006

Printed in Korea

Copyright

Copyright 2006, Sena Technologies, Inc. All rights reserved.

Sena Technologies reserves the right to make changes and improvements to its product without providing notice.

Trademark

Parani™ is a trademark of Sena Technologies, Inc.

Windows® is a registered trademark of Microsoft Corporation.

Ethernet® is a registered trademark of XEROX Corporation.

Notice to Users

When a system failure may cause serious consequences, protecting life and property against such consequences with a backup system or safety device is essential. The user agrees that protection against consequences resulting from system failure is the user's responsibility.

This device is not approved for life-support or medical systems.

Changes or modifications to this device not explicitly approved by Sena Technologies will void the user's authority to operate this device.

Precautions and Safety

Electricity

Use only the supplied AC adapter. Use of unauthorized power adapter is not recommended. Electrical shock may result.

Do not kink or crease the power cable or place heavy objects on the power cable. Fire can result from damaged power cables.

Do not handle power plug and adapter with wet hands. Electrical shock may result.

Immediately power off the product and unplug the AC adapter if smoke or odors emit from the product and adapter. Fire can result from improper use.

Immediately power off the product and unplug the AC adapter if water or other liquids are present. Fire can result from improper use.

Product

Parani-ESD meets the RS-232 standards. Do not wire with non-standard products. Damage to your products may result from improper use.

Do not drop or subject the device to impact. Damage to your products may result from improper use.

Keep away from harsh environments including humid, dusty, and smoky areas. Damage to your products may result from improper use.

Do not use excessive force on the buttons or attempt to disassemble the device. Damage to your products may result from improper use.

Do not place heavy objects on the product. Damage to your products may result from improper use.

Technical Support

Sena Technologies, Inc.

210 Yangjae-dong, Seocho-gu

Seoul 137-130, Korea

Tel: (+82-2) 573-5422

Fax: (+82-2) 573-7710

E-Mail: support@sena.com

Website: <http://www.sena.com>

Contents

1. Introduction.....	6
1.1. Overview.....	6
1.2. Package Check List	6
1.2.1. Single/Bulk Unit Package	6
1.2.2. Starter’s Kit.....	6
1.3. Product Specification.....	7
2. Getting Started.....	9
2.1. Panel Layout.....	9
2.2. Connecting the Hardware.....	9
2.2.1. Connecting Parani-ESD to Jig Board	10
2.2.2. Connecting Power to Jig Board.....	10
2.2.3. Connecting a Device to Jig Board	11
3. Configuration.....	12
3.1. Operation Modes.....	12
3.2. Serial Ports	13
3.3. Data Bit.....	13
3.4. Hardware Flow Control.....	13
3.5. Software and Utility	13
3.6. ParaniWIN	14
3.7. ParaniWizard	20
3.8. ParaniUpdater.....	25
3.9. Terminal Program.....	25
4. Approval Information.....	27
4.1. FCC.....	27
4.1.1. FCC Compliance Statement	27
4.1.2. RF Exposure Statement	27
4.1.3. Do not	27
4.2. MIC.....	27
4.3. CE.....	27
5. RF Information.....	28
5.1. Radio Frequency Range.....	28
5.2. Number of Frequency Channel.....	28
5.3. Transmission Method	28
5.4. Modulation Method.....	28
5.5. Radio Output Power.....	28
5.6. Receiving Sensitivity	28
5.7. Power Supply.....	29
Appendix A: Connections.....	30
A.1. Pin Assignment.....	30
A.1.1. Parani-ESD100/110	30
A.1.2. Parani-ESD200/210.....	31
A.1.3. DCD Signal.....	31
A.1.4. RST Signal.....	32
A.1.5. Pairing Signal (only for Parani-ESD100/110).....	32
A.2. Connection Diagram	33
A.2.1. Parani-ESD100/110	33
A.2.2. Parani-ESD200/210.....	35
Appendix B: AT Commands.....	37
B.1. Terminology	37
B.1.1. AT Command	37
B.1.2. AT Response.....	37
B.1.3. Operation Mode	37
B.1.4. Operation Status	37
B.1.5. Security	37

B.1.6. Symbols.....	38
B.2. Command Category.....	38
B.3. Command Description	39
B.3.1. ATZ←.....	39
B.3.2. AT&F←.....	39
B.3.3. AT←.....	39
B.3.4. AT+UARTCONFIG,Baudrate,Parity,Stopbit,Hwfc←.....	39
B.3.5. AT+BTINFO?←.....	40
B.3.6. AT+BTINQ?←.....	40
B.3.7. AT+BTLAST?←.....	40
B.3.8. AT+BTVER?←.....	40
B.3.9. AT+BTRSSI,n←.....	41
B.3.10. AT+BTMODE,n←.....	41
B.3.11. +++←.....	41
B.3.12. AT+SETESC,nn←.....	42
B.3.13. ATO←.....	42
B.3.14. AT+BTCANCEL←.....	42
B.3.15. AT+BTSCAN←.....	42
B.3.16. AT+BTSCAN,n,to←.....	42
B.3.17. AT+BTSCAN112233445566,to←.....	43
B.3.18. ATD←.....	43
B.3.19. ATD112233445566←.....	43
B.3.20. ATH←.....	44
B.3.21. AT+BTKEY=\$string←.....	44
B.3.22. AT+BTSD? ←.....	44
B.3.23. AT+BTCSD←.....	45
B.3.24. AT+BTFP,n←.....	45
B.3.25. AT+BTSEC,Authentication,Encryption←.....	45
B.3.26. AT+BTNAME=\$string←.....	45
B.3.27. AT+BTLPM,n←.....	46
B.3.28. AT+DFU←.....	46
B.3.29. AT&V←.....	46
B.3.30. ATSn? ←.....	46
B.3.31. ATSn=mm←.....	46
B.4. Command Validity.....	47
Appendix C: S-Register.....	49
C.1. S1: Force to Reconnect (default 1)	49
C.2. S3: Stream UART Policy (default 0).....	49
C.3. S4: Enable Remote Name Query (default 1)	49
C.4. S6: Enable Low Power Mode (default 0).....	49
C.5. S10: Enable SD Response (default 1).....	50
C.6. S11: Enable Escape (default 1).....	50
C.7. S12: Clear Data Buffer When Disconnected (default 0).....	50
C.8. S13: Enable DCD Signal (default 1).....	50
C.9. S14: Enable DTR Transfer (default 1)	50
C.10. S15: Enable Disconnect by DTR (default 0)	50
C.11. S22: Faster Connection (default 0).....	50
C.12. S24: Maximum Number of Inquiry Result (default 10).....	51
C.13. S28: Escape Sequence Character (default 43).....	51
C.14. S31: Page Timeout (default 300).....	51
C.15. S33: Inquiry Timeout (default 30)	51
C.16. S37: Supervision Timeout (default 16000).....	51
C.17. S46: BD Address of Last Connected Device	51
Appendix D: Trouble Shooting.....	52
D.1. No Data Transmission	52
D.1.1. Device Settings.....	52

D.2. Data Loss or Malfunctioning.....	52
D.2.1. Hardware Flow Control.....	52
D.2.2. SD Response	52
D.3. Transmission Delay	52
D.3.1. RF Processing Delay	52
D.3.2. RF Transmission Environment	52
Appendix E: Warranty.....	54
E.1. GENERAL WARRANTY POLICY	54
E.2. LIMITATION OF LIABILITY	54
E.3. HARDWARE PRODUCT WARRANTY DETAILS.....	54
E.4. SOFTWARE PRODUCT WARRANTY DETAILS	55
E.5. THIRD-PARTY SOFTWARE PRODUCT WARRANTY DETAILS	55
Appendix F: How make a RS232 interface Jig Board.....	56
Appendix G: ESD100/110/200/210 PCB Mechanical Drawing.....	57

1. Introduction

1.1. Overview

Parani-ESD is a module device for wireless serial communication using Bluetooth technology that is international a standard for short range wireless communications. Parani-ESD can communicate with other Bluetooth devices that support the Serial Port Profile.

Parani-ESD lineup has several models with different communication ranges from 30m (Parani-ESD200/210) up to 100m (Parani-ESD100/110) for use with various applications. The Parani-ESD delivers better quality of communication than a standard RS232 cables.

Parani-ESD has a compact design and can be placed conveniently into devices or equipment. Its detachable antenna optimizes the quality and distance for wireless communications.

Parani-ESD supports FHSS (Frequency Hopping Spread Spectrum), which is a technique, native to Bluetooth that allows the Parani-ESD minimize radio interference while decreasing the likelihood of over-air hijacking. Parani-ESD also supports authentication and Bluetooth data encryption.

Parani-ESD can be configured and controlled by typical AT commands. Users can easily configure Parani-ESD by using a terminal program such as HyperTerminal and can use Bluetooth wireless communication without modifying user's existing serial communication program. In addition to the basic AT commands, Parani-ESD provides some expanded AT commands for various functions. User friendly ParaniWizard and ParaniWIN are also provided for easy setup on Microsoft Windows.

1.2. Package Check List

1.2.1. Single/Bulk Unit Package

- Parani-ESD100/200
 - Parani-ESD100/200 module
 - on-board chip antenna
- Parani-ESD110/210
 - Parani-ESD110/210 module
 - Stub Antenna
 - Antenna extension cable

1.2.2. Starter's Kit

- Jig board
- Serial data cable
- DC Power Adapter
- A hardcopy of Quick Start Guide
- CD-ROM including the Configuration SW and User Guide

1.3. Product Specification

	ESD100/110	ESD200/210
Serial Interface	Serial speeds 1200bps to 230400bps Flow Control: None, Hardware RTS/CTS	
	2.54mm Header 2X6	2.54mm Header 1X4X2
Bluetooth Interface	Bluetooth v1.2 *	
	Protocol: RFCOMM, L2CAP, SDP	
	Profile: Serial Port Profile	
	Class 1	Class 2
	Level: 18dBm	Level: Max. 4dBm
	ESD100-Working distance: Nominal 100m ESD110-Working distance: Default-Default Antenna 100m Default-Dipole Antenna 150m Dipole-Dipole Antenna 200m Patch-Dipole Antenna 400m Patch-Patch Antenna 1000m	ESD200-Working distance: Nominal 30m ESD210-Working distance: Default-Default Antenna 30m Default-Dipole Antenna 50m Dipole-Dipole Antenna 80m Patch-Dipole Antenna 150m Patch-Patch Antenna 300m
Configuration	ParaniWIN, ParaniWizard, Modem AT command set	
Firmware Update	ParaniUpdater	
Power	Supply voltage: 3.3V DC Supply current: - ESD100/110 : minimum 300mA - ESD200/210 : minimum 150mA Nominal power consumption ESD100 : 43mA@9600bps, 61mA@115Kbps ESD110 : 44mA@9600bps, 57mA@115Kbps ESD200 : 33mA@9600bps, 40mA@115Kbps ESD210 : 31mA@9600bps, 39mA@115Kbps	
Environmental	Operating temperature: -10 ~ 55 °C Storage temperature: -20 ~ 70 °C Humidity : 90% (Non-condensing)	
Physical properties	ESD100 Dimension 27.5 mm L (1.08 in.) 30 mm W (1.18 in.) 14 mm H (0.55 in.)	Dimension 18 mm L (0.7 in.) 20 mm W (0.78 in.) 12 mm H (0.47 in.)
	ESD110 Dimension 27.5 mm L (1.08 in.) 27.7 mm W (1.09 in.) 14 mm H (0.55 in.)	
	Weight 5 g	Weight 2 g
Approvals	FCC(A), MIC, CE	
Warranty	3-year limited warranty	



Note* :

Bluetooth v1.2 supports improved AFH function. AFH function is to mitigate the interference between WiFi and Bluetooth radios by automatically avoiding the active WiFi channel from Bluetooth link. However, AFH does not provide a complete solution making WiFi and Bluetooth work together in harmony. It is highly recommended for users to test their wireless system enough before deployment since the overall system performance is affected by various environmental factors such as distance between them.

2. Getting Started

This chapter describes how to set up the Parani-ESD Series for the first time.

- 2.1 *Panel Layout* explains the panel layout.
- 2.2 *Connecting the Hardware* describes how to connect the Parani-ESD Series, the power, and the serial device to the Jig Board.

Following items are pre-required to get started.

- One Jig Board (included in the Starter Kit package).
- One DC power adapter or one USB power cable (included in the Starter Kit package).
- One serial console cable for configuration (included in the Starter Kit package).
- One PC with RS232 serial port.
- Terminal emulation program running on the PC

2.1. Panel Layout

This section describes the panel layout of the Jig Board.

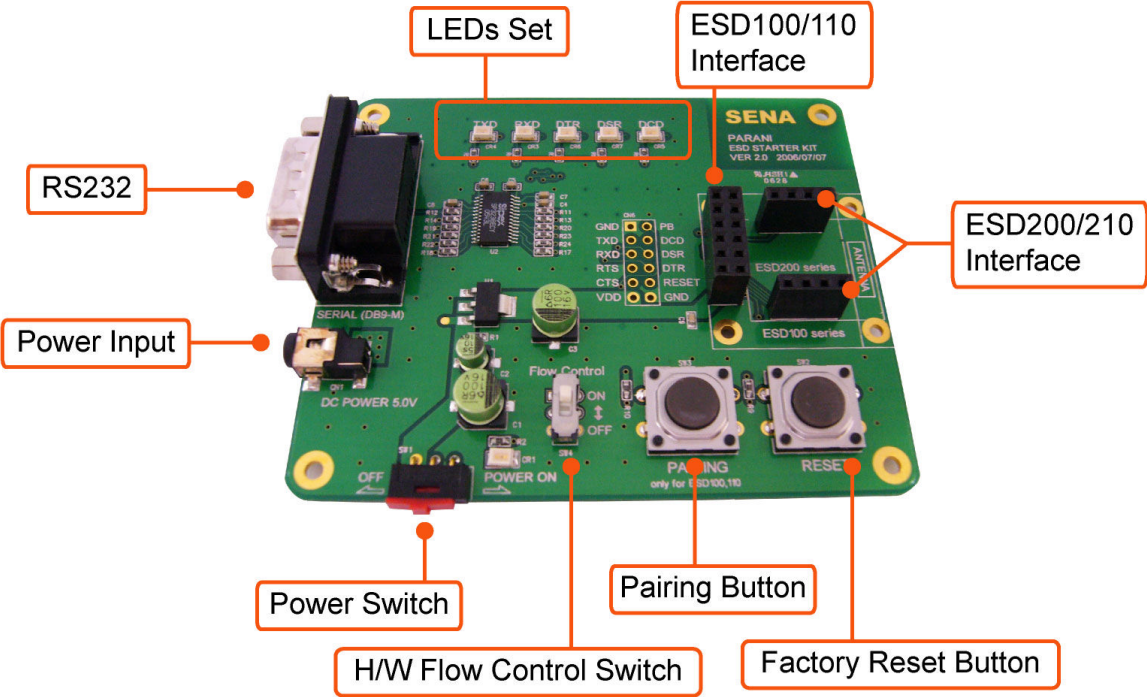


Figure 2-1 The panel layout of Jig Board

2.2. Connecting the Hardware

This section describes how to connect the Parani-ESD Series to the Jig Board and the Jig Board to the serial device for initial testing.

- Connect the Parani-ESD Series to the Jig Board.
- Connect a power source to Jig Board for the Parani-ESD Series.
- Connect Jig Board for the Parani-ESD Series to a serial device.

2.2.1. Connecting Parani-ESD to Jig Board

Connect the Parani-ESD Series to the Jig Board as shown below.

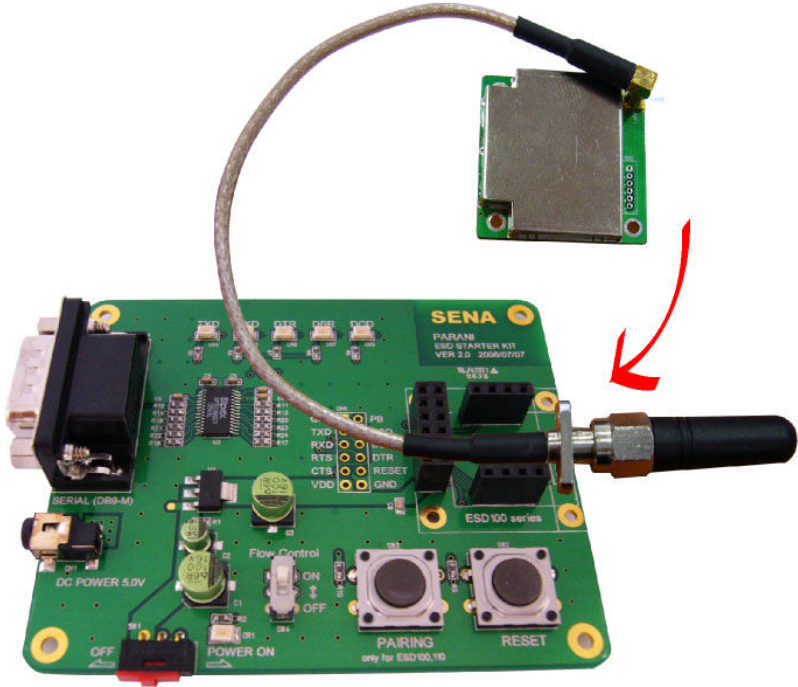


Figure 2-2 Connecting Parani-ESD to Jig Board

2.2.2. Connecting Power to Jig Board

Connect the power jack to the power connector of the Jig Board for the Parani-ESD Series using the DC power adapter or USB power cable that is included in the package.

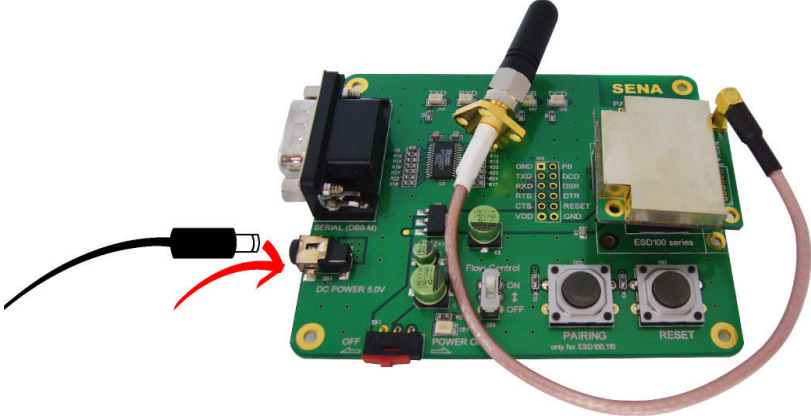


Figure 2-3 Connecting Power to Jig Board

2.2.3. Connecting a Device to Jig Board

Connect the serial data cable between the Jig Board and the serial device. If necessary, supply power to the serial device attached to the Jig Board.

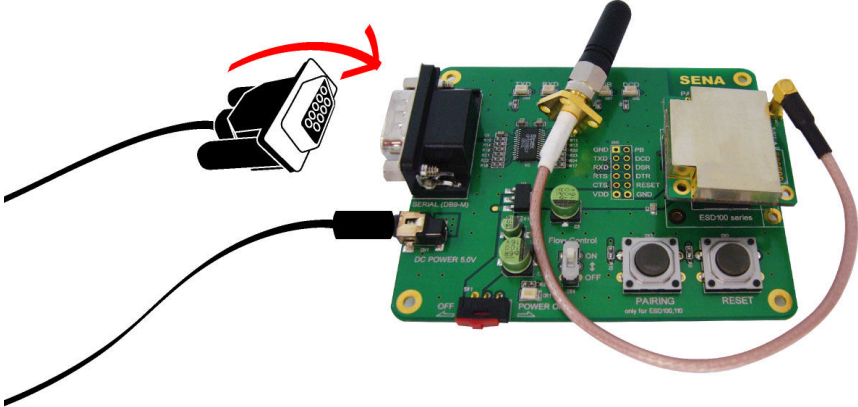


Figure 2-4 Connecting a Device to Jig Board

3. Configuration

3.1. Operation Modes

In addition to the serial port configurations, the Parani-ESD requires also includes some settings for Bluetooth. For getting the most out of Parani-ESD, user should understand the following Bluetooth connection schemes.

A Bluetooth device can play a role as a master or slave. Master tries to connect itself to other Bluetooth devices, and slave is waiting to be connected from other Bluetooth devices. A Bluetooth connection is always made by a pair of master and slave devices. A slave can be in two modes, Inquiry Scan or Page Scan mode. Inquiry Scan mode is waiting for a packet of inquiry from other Bluetooth device and Page Scan mode is waiting for a packet of connection from other Bluetooth device. Every Bluetooth device has its unique address, called BD (Bluetooth Device) address, which is composed of 12 hexa-decimal numbers.

Parani-ESD has 4 operation modes as follows:

Table 3-1 The Parani-ESD Operation Modes

Mode	Description
Mode0	<p>In this mode, there is no response when power on or software reset, and Parani-ESD is just waiting for AT command input. Neither master nor slave is assigned to Parani-ESD in mode0. User can change the configuration parameters of Parani-ESD in this mode.</p> <p>Parani-ESD must be in Mode0, when it is directly controlled by AT commands.</p> <p>The factory default is set to Mode0.</p>
Mode1	<p>Parani-ESD tries to connect the last connected Bluetooth device.</p> <p>Parani-ESD in Mode1 is to be a master and tries to connect the last connected Bluetooth device. Parani-ESD always stores the BD address of the Bluetooth device to which Parani-ESD has connected last. When Parani-ESD is initially used or after hardware reset, there is no BD address stored in Parani-ESD. In this case, Mode1 will not be able to work properly. The mode change to Mode1 can be made after Parani-ESD succeeds to connect to one other Bluetooth device. Once changed to Mode1, Parani-ESD will try to connect automatically the last connected Bluetooth device whenever the unit is powered on or software reset. Parani-ESD in Mode1 cannot be discovered or connected by other Bluetooth devices.</p>
Mode2	<p>Parani-ESD is waits for a connection from the last connected Bluetooth device.</p> <p>Parani-ESD in Mode2 is to be a slave and waiting for the connection only from the last connected Bluetooth device. Just like Mode1, if there is no BD address stored in Parani-ESD, the mode change from other operation modes to Mode2 is not work properly. Once changed to Mode2, Parani-ESD will wait for the connection from the last connected Bluetooth device whenever the unit is powered on or software reset.</p> <p>Parani-ESD in Mode2 cannot be discovered or connected to Bluetooth devices other than the last connected device.</p>
Mode3	<p>Parani-ESD is waiting for the connection from any other Bluetooth devices. In Mode 3 the Parani-ESD is discoverable and can be connected to by other Bluetooth devices.</p>

3.2. Serial Ports

The applicable settings for serial ports are as follows.

Table 3-2 The Parani-ESD Serial Port Settings

Serial Port Settings	Values
Baud rate	1200, 2400, 4800, <input type="text" value="9600"/> , 19200, 38200, 57600, 115200, 230400
Data bite	<input type="text" value="8"/>
Parity	<input type="text" value="No parity"/> , Even parity, Odd parity
Stop bit	<input type="text" value="1"/> 2
Hardware Flow Control	<input type="text" value="Use"/> , No Use

The values in box are the factory default settings.

3.3 Data Bit

Parani-ESD supports only 8 data bit. In the case of 7 data bit and even/odd parity, use ESD 8 data bit and none parity. But 7 data bit and none parity is not support.

3.4 Hardware Flow Control

Parani-ESD plugged into its host system transmits data from host to the other side Bluetooth device. This data is saved temporarily in the internal buffer of Parani-ESD and sent repeatedly until the transmission is completed packet by packet. When the radio transmission condition is not good enough to send data promptly, it can cause a transmission delay. If the host sends more data when the buffer is full, buffer overflow will make Parani-ESD malfunction consequently. In order to prevent this buffer overflow, Parani-ESD works as follows.

When using hardware flow control, Parani-ESD disables RTS so that it stops receiving any further data from the host when the buffer becomes full. RTS will be re-enabled again to begin receiving data from the host when the buffer has created more room for more data.

When hardware flow control is not being used, the Parani-ESD clears the buffer to secure room for the next data when the buffer becomes full. This can mean a loss of data may occur. As the transmission data becomes large, the possibility of data loss becomes greater.

For large data transmissions, the use of hardware flow control is highly recommended.

3.5 Software and Utility

This configuration software and utility for firmware update is included with the product, which also can be downloaded from <http://www.sena.com>

Table 3-3 Configuration Software

Software	Purpose	Operating System
ParaniWIN	Configuration	MS Windows 98SE or Higher
ParaniWizard	Pairing Configuration	MS Windows 98SE or Higher
ParaniUpdater	Firmware Update	MS Windows 98SE or Higher

3.6 ParaniWIN

ParaniWIN is a program that runs on Microsoft Windows for the configuration of Parani-ESD. Install ParaniWIN on your computer. Plug a Parani-ESD into the serial port of the computer and turn on the power. Run ParaniWIN.

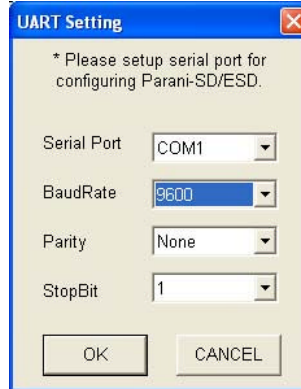


Figure 3-1 Serial Port Setting

Set each option properly and click [Confirm]. If the settings of the Parani-ESD are different from the ParaniWin, an error message will pop up. If the Parani-ESD is in the status of connection, warning message will pop up. Then the current connection can be cancelled by [Disconnect] button on the main window.

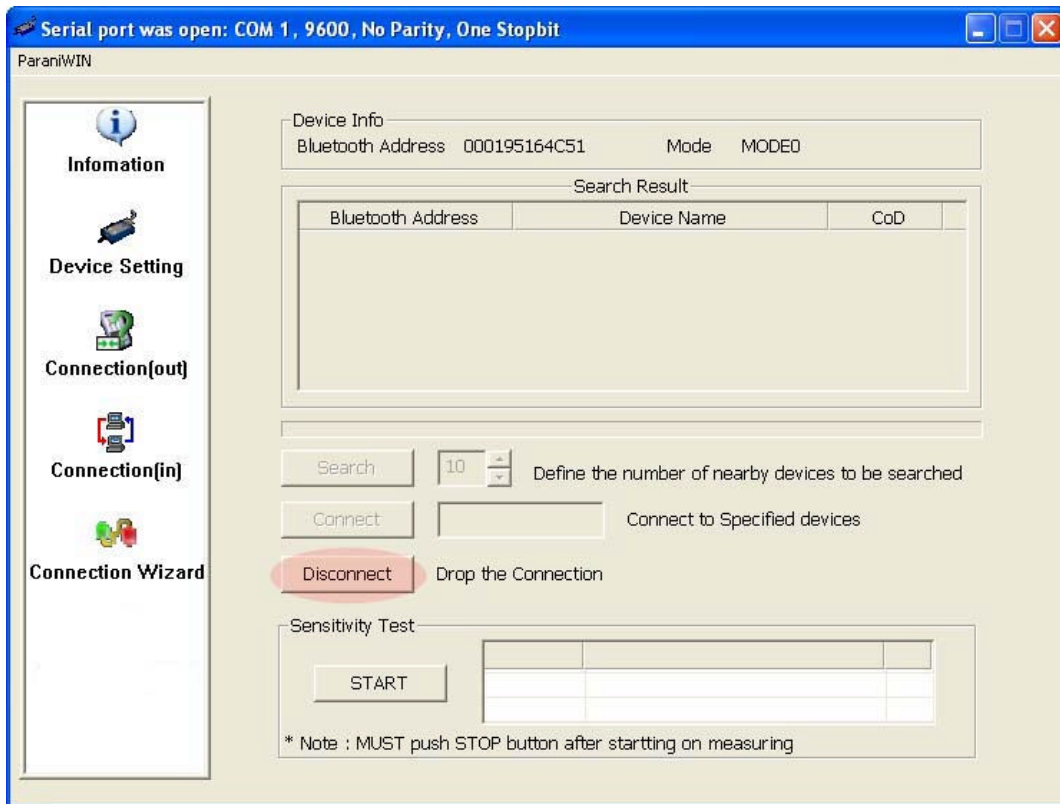


Figure 3-2 Main Window

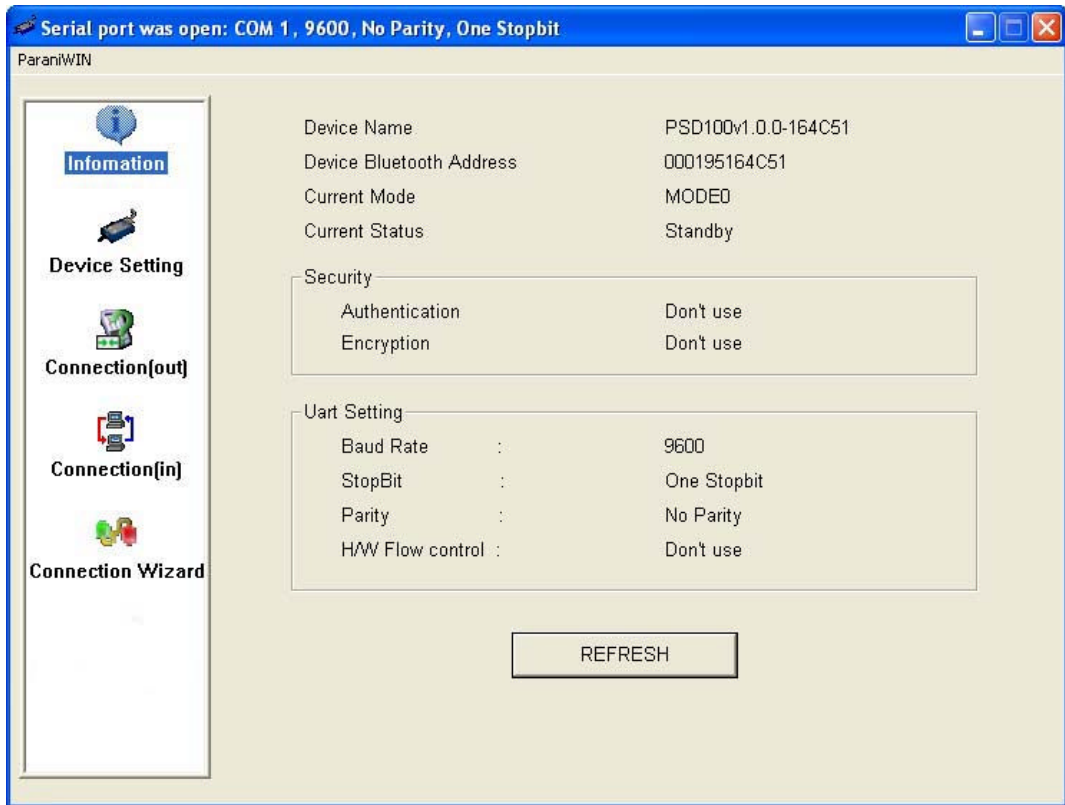


Figure 3-3 Information Window

Serial port settings can be changed by <Start Configuration> and <ParaniWIN Configuration> of ParaniWIN in the menu bar at upper left corner of the window without re-running the ParaniWIN program.

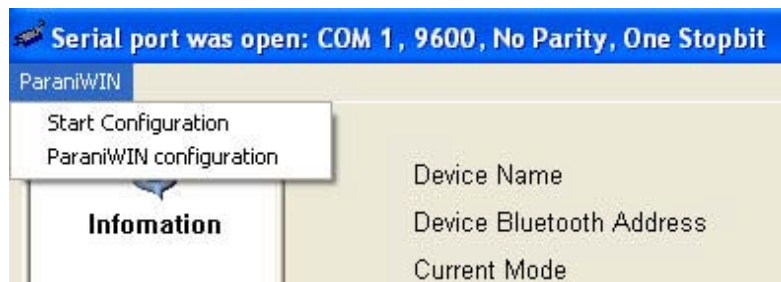


Figure 3-4 Menu Bar at Upper Left corner of ParaniWIN

When the ParaniWin software is able to access the Parani-ESD properly, the icons in the left side window come will become available for use.

In device configuration window, hardware reset can be executed or operation mode and RS232 can be configured as well. Security option also can be configured in this window.

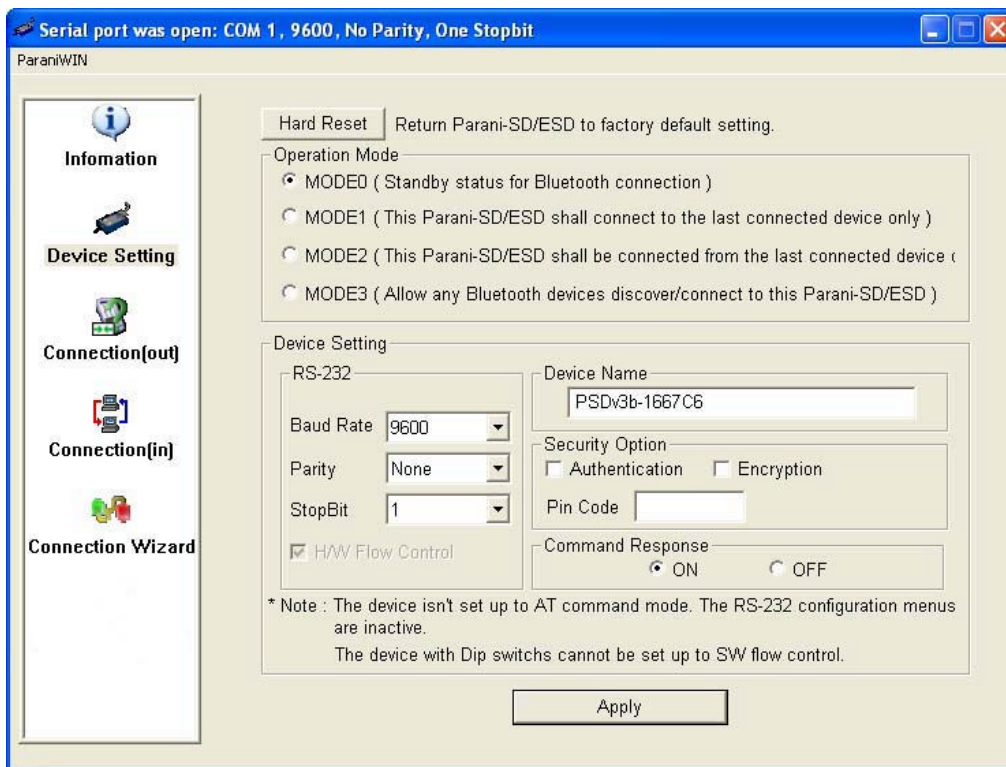


Figure 3-5 Device Setting Window

Parani-ESD supports two security options, Authentication and Encryption. If you check the Authentication option, you must also enter the Pin Code value. If the authentication is activated, the connection, only between the Master and Slave device that share the same Pin Code, is established. Parani-ESD supports two security options, Authentication and Encryption. If you enable the Authentication option, you must also enter a Pin Code value. If the authentication is enabled, the connection, between the Master and Slave device must share the same Pin Code. In case that Parani-ESD connects to another Bluetooth device, that requires authentication, you must know the other device's Pin Code. In general, most Bluetooth devices have a pincode of 1234 or 0000. If you check Encryption option, the Parani-ESD will encrypt packets and sent to the device. The Encryption options works well in case that only one of the devices between Master and Slave use the Encryption option.

Parani-ESD has 4 response messages, 'OK', 'ERROR', 'CONNECT', and 'DISCONNECT'. In some cases, these responses can affect the host system unexpectedly. To prevent this, user can set the Command response to ON or OFF.

Click [Apply] button to apply any changes made to the Parani-ESD.

Connection(out) icon will show the following window to search and connect other Bluetooth devices.

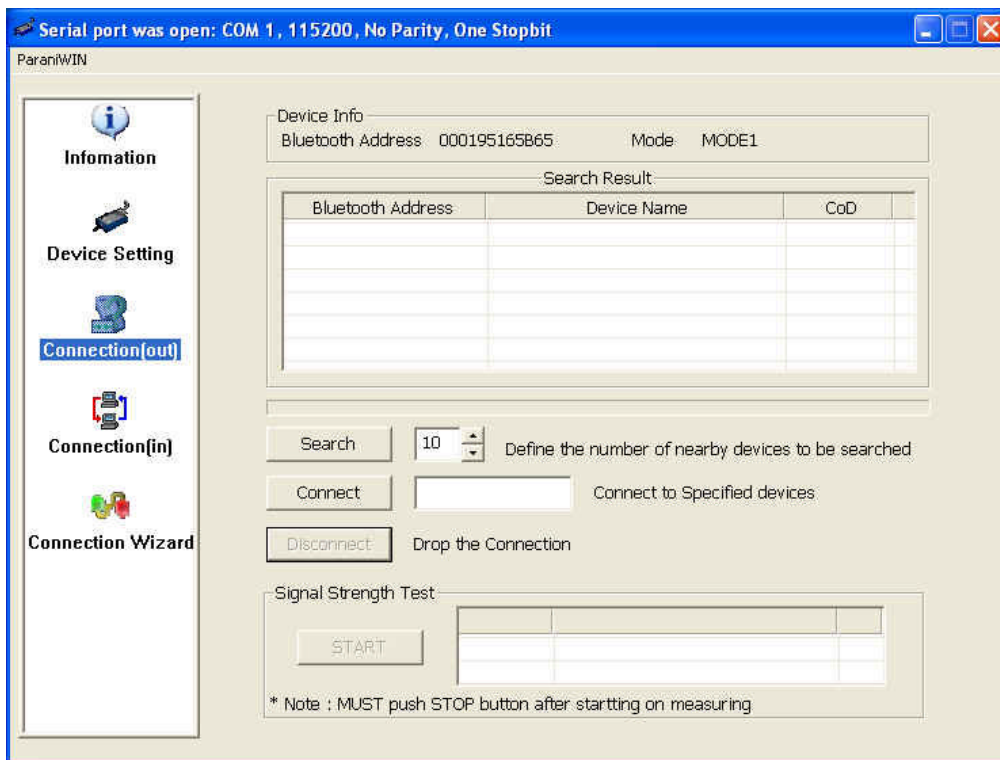


Figure 3-6 Connection(out) Window

Click [Search] button to search nearby Bluetooth devices. Once several Bluetooth devices has been found, select one of the devices and click the [Connect] button. The selected Bluetooth device must be discoverable and connectable. Click [Disconnect] button to cancel the connection.

After the connection has been established, you will be able to test signal strength by pushing the START button.

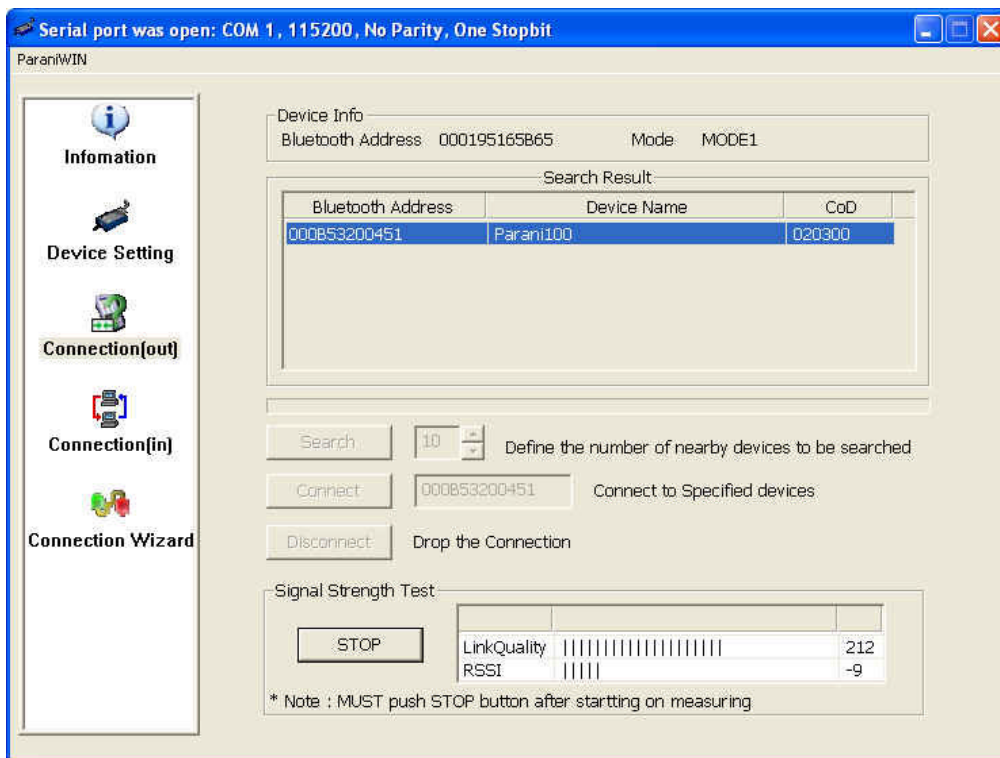


Figure 3-7 Signal Strength Test

The signal strength test shows LinkQuality and RSSI values. The closer LinkQuality is to 255 and RSSI is to 0, this means the Parani-ESD has a good connection to the connected Bluetooth device. In general, the wireless connectivity is at its best within 10 meters. You can push the STOP button at anytime in order to terminate the signal strength test. The signal strength test will continue until the STOP button is pushed. If you close the ParaniWIN Window without pushing the STOP button, you must restart Parani-ESD to terminate the test.

Connection(in) icon will show the following window, which enables the Parani-ESD to wait for a connection from another Bluetooth device. If the waiting time is set to 0, Parani-ESD will continually wait for connection until [Cancel] button is clicked.

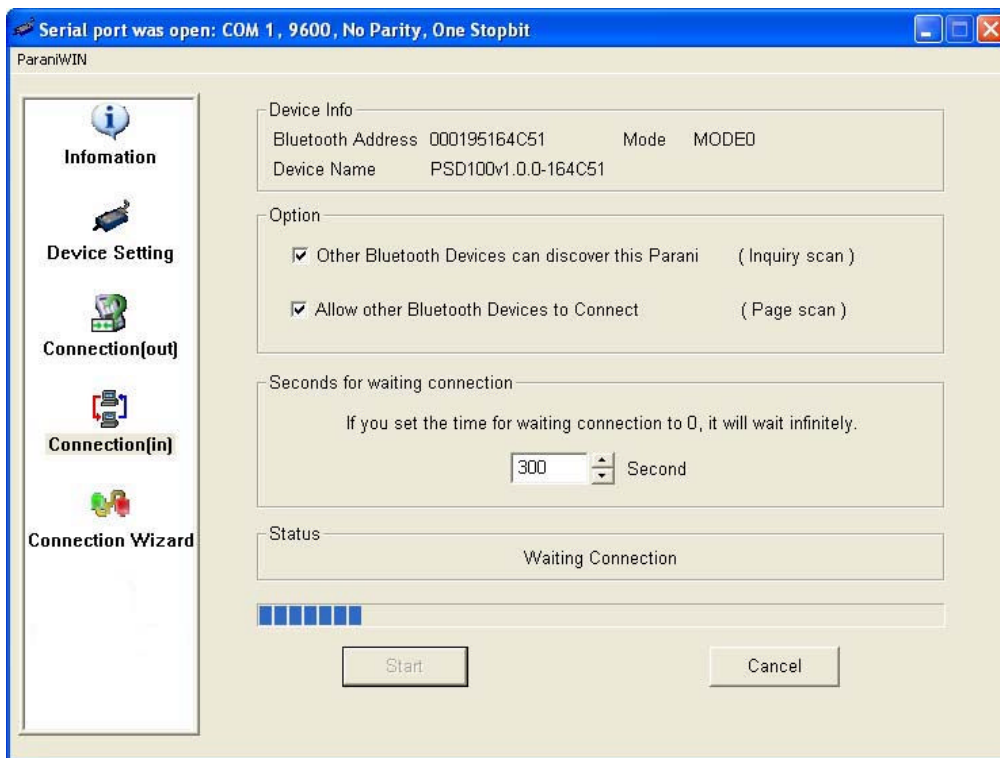


Figure 3-8 Connection(in) Window

If the Connection Wizard icon is clicked, an easy to use pairing menu will appear:

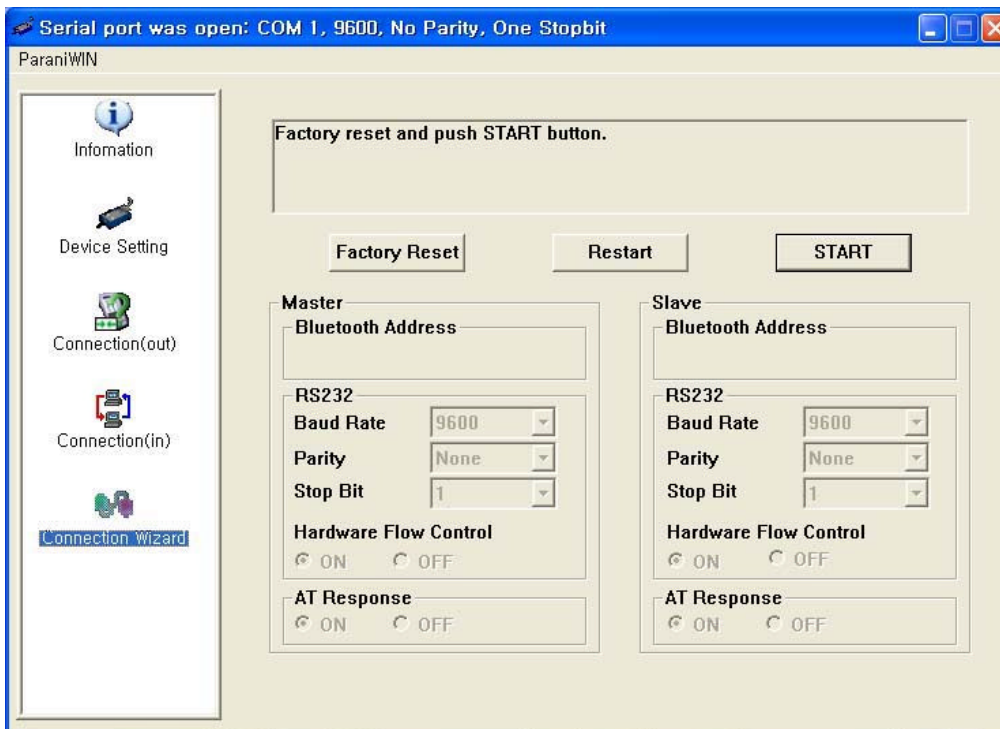


Figure 3-9 Connection Wizard Window

In this example we will refer to the two Parani-ESDs as ESD1 and ESD2 respectively. To use this menu, please do the following:

Step 1. Connect ESD1 and then push the START button.

Step 2. Disconnect ESD1, connect ESD2 and then push the Next button after setting up Slave configuration.

Step 3. Disconnect ESD2, once again connect the ESD1 and then push the Finish button. The pairing configuration should be completed. Make sure that each ESD's connect LED is on. At this point, when both ESD's are restarted the connection will be established automatically.

3.7 ParaniWizard

ParaniWizard is a Wizard program that will allow you to configure a pair of Parani-ESD's for an automatic connection. To make connection with Bluetooth devices other than Parani-ESD, use ParaniWIN or AT commands on a terminal program.

In this example, we will refer to the two Parani-ESD's as ESD1 and ESD2 respectively.

Install and run ParaniWizard.



Figure 3-10 ParaniWizard Step 1

Plug ESD1 into the serial port of the host computer and power on the unit. Click [Wizard Setting] button to configure the serial port settings of ESD1. These settings must be the same as those of the host system, to which ESD1 will be used. Click [Next].

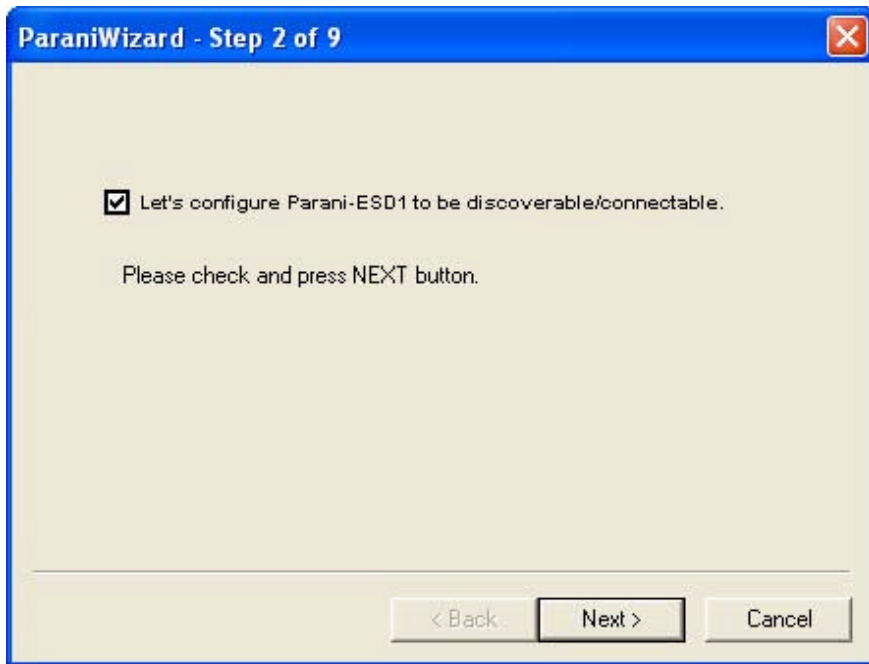


Figure 3-11 ParaniWizard Step 2

Click [Next] with after selecting the check box, which makes the unit discoverable, in which ESD1 can be discovered and connected from the other Bluetooth device.
Remove ESD1 from the host computer, remember to leave the ESD1 powered on.
Now, plug ESD2 into the serial port of the host computer and power on the unit.



Figure 3-12 ParaniWizard Step 3

Click [Wizard Setting] button to configure the serial settings of ESD2. These settings must be same as

those of the host system, to which ESD2 will be used. Click [Next].

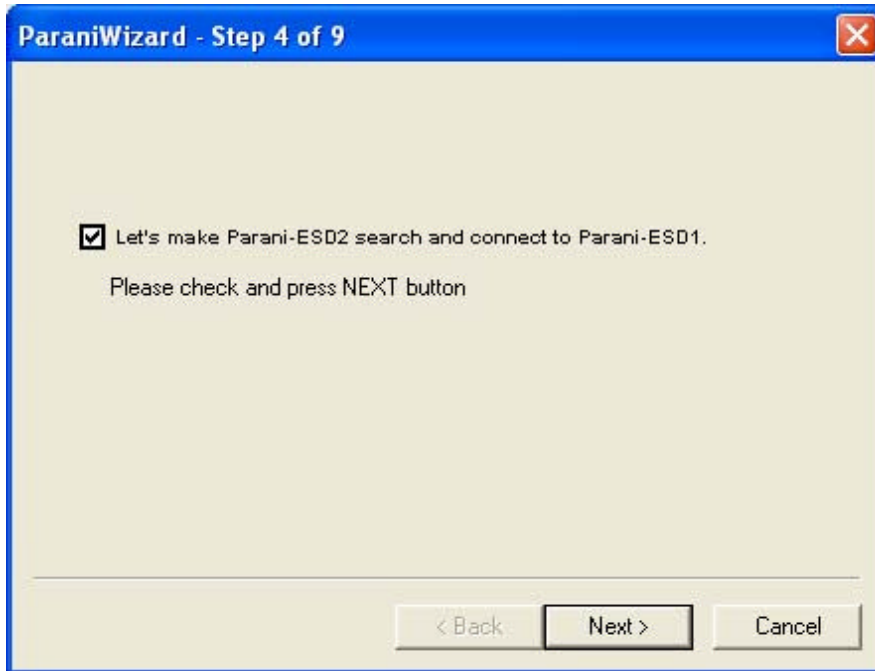


Figure 3-13 ParaniWizard Step 4

Click [Next] after selecting check box. ESD2 will then do a search nearby, and search for Bluetooth devices for 30 seconds. The program will show the Bluetooth devices with Device Address, Device Name and CoD (Class of Device).

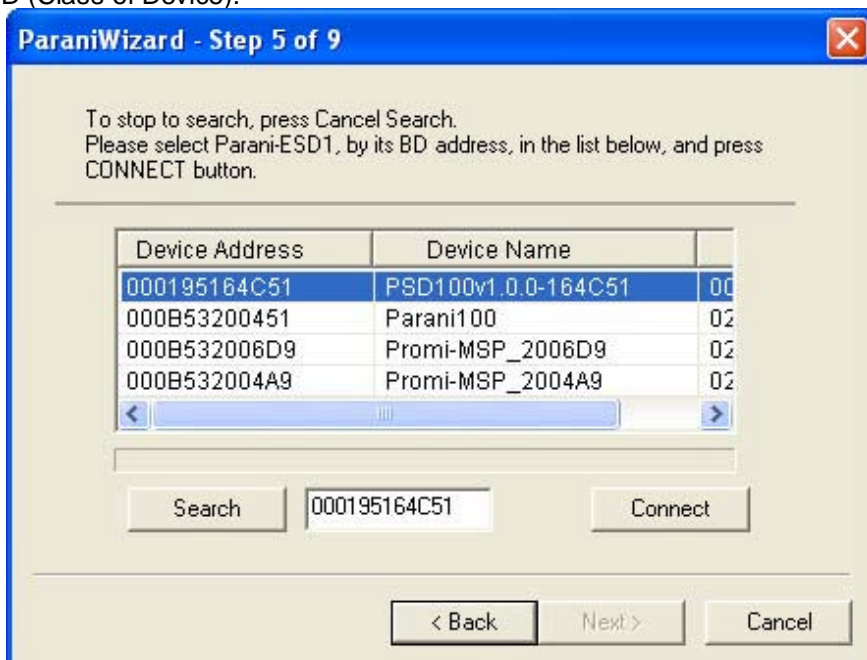


Figure 3-14 ParaniWizard Step 5

Select the ESD1 from the list and click [Connect], then the following message box will be displayed.

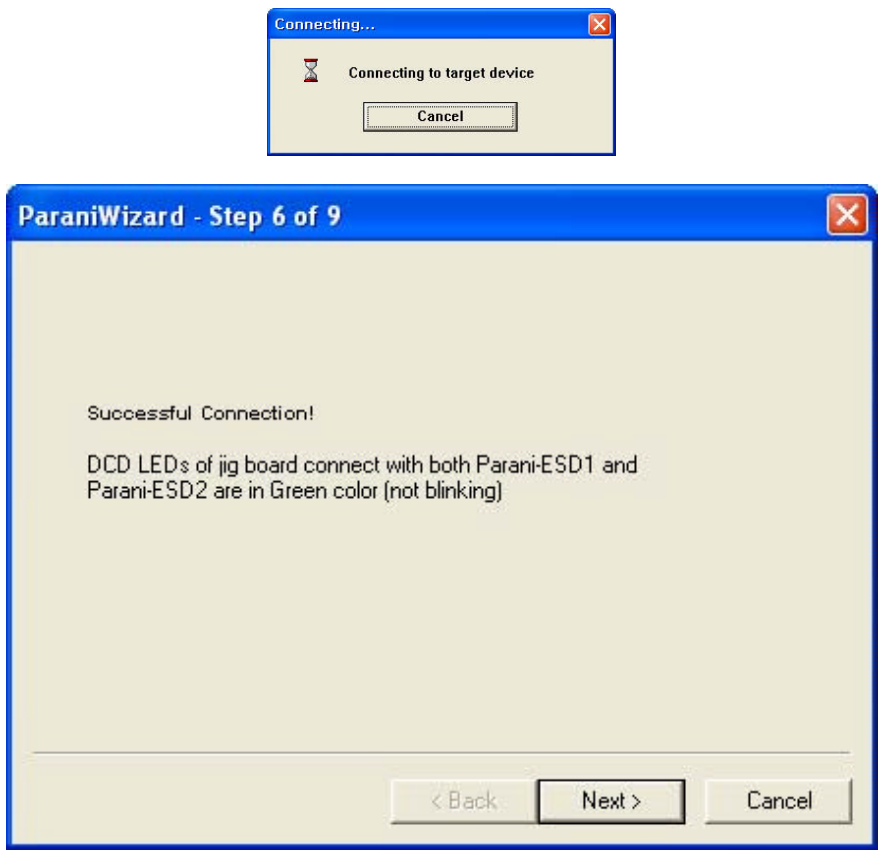


Figure 3-15 ParaniWizard Step 6

It may take about 5 seconds to complete the connection.

For the automatic connection to take place between ESD1 and ESD2, the proper operation mode of ESD1 and ESD2 have to be set.

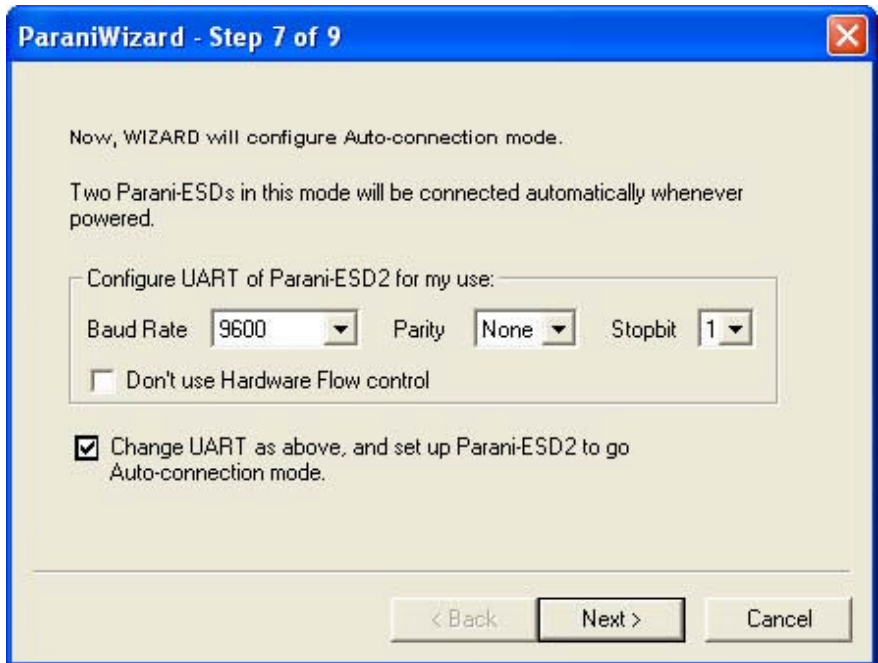


Figure 3-16 ParaniWizard Step 7

Set the operation mode of ESD2 to Mode1.



Figure 3-17 ParaniWizard Step 8

Remove the ESD2 from the host computer and plug ESD1 into the serial port again. Set the operation mode of ESD1 to Mode2.



Figure 3-18 ParaniWizard Step 9

Now the configuration of ESD1 and ESD2 has been completed. Now when the units are turned off and then turned on again, they will make an automatic connection to each other.

3.8 ParaniUpdater

Parani-ESD supports firmware updates. You can download new firmware images for the Parani-ESD at <http://www.sena.com>. With the ParaniUpdater, you can update the firmware of Parani-ESD by selecting the firmware image file and pushing Start button.

* Note: DO NOT power off Parani-ESD while the firmware update is progressing, this may damage the Parani-ESD.

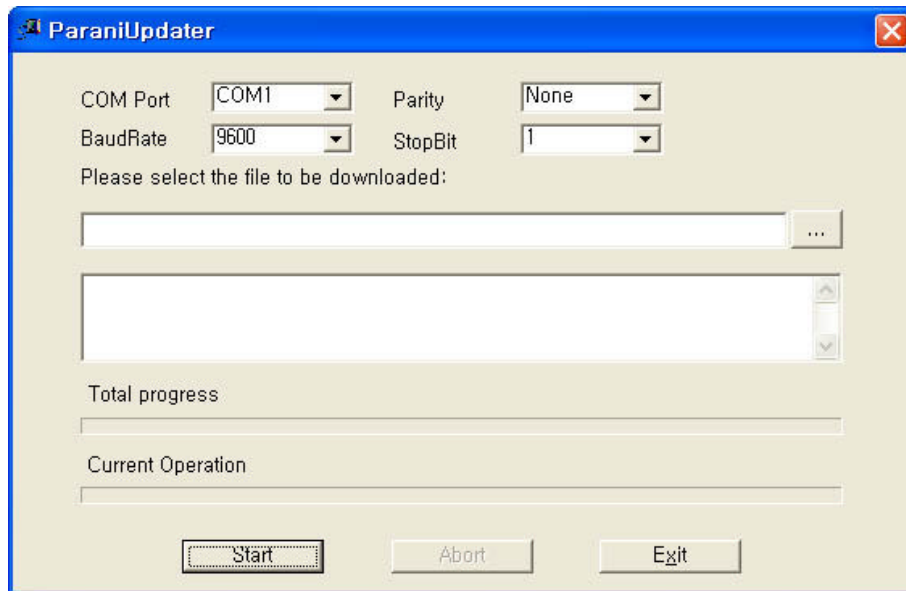


Figure 3-19 ParaniUpdater Window

3.9 Terminal Program

A terminal program is typically an application that will enable a PC to communicate directly with a modem. If you are using Windows 98SE or higher version of Windows, HyperTerminal program is included as part of the operating system. Parani-ESD provides some extended AT commands for configuration of the Parani-ESD.

This manual will explain the method using HyperTerminal. If you need to install HyperTerminal, click start>setting>control panel>add/remove programs. For more precise details on HyperTerminal installations, please refer to Microsoft Windows Help section.

Attach Parani-ESD to serial port of host computer and power on the unit.

Launch HyperTerminal. It can be found in start menu >programs >accessories >communication >HyperTerminal. Select the Serial port that Parani-ESD will be connected to.

Input the same settings into Serial port configuration window as Parani-ESD settings.

Select the Serial port setting in the window displayed, please make sure the serial settings in Hyperterminal are set to the same settings as the Parani-ESD's serial settings.

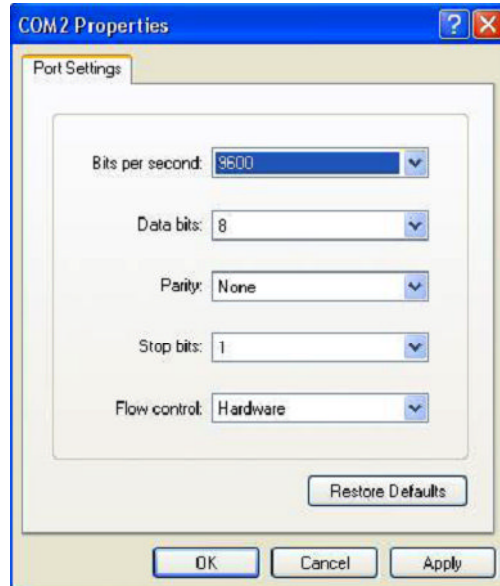


Figure 3-2 HyperTerminal

To view the AT commands that are being typed, you will need to enable the local echo option. Go to File->Properties->Settings->ASCII setup and select the "Echo typed characters locally" option.

For expanded AT commands, please refer to Appendix A. AT commands.

Example of AT commands:

```
at
OK
at+btinfo?
000195000002,ESD100v1.0.0-000002,MODE0,STANDBY,0,0,NoFC
OK
at+btinq?
000B5320070E,Promi -MSP_20070E,020300
0009DD500027,LEECOM,1E010C
OK
atd000b5320070e
OK
CONNECT 000B5320070E
```

4. Approval Information

4.1. FCC

4.1.1. FCC Compliance Statement

This device complies with part 15 of the FCC Rules. Operation is subject to the following two conditions:

- (1) This device may not cause harmful interference, and
- (2) This device must accept any interference received,

Including interference that may cause undesired operation

4.1.2. RF Exposure Statement

The equipment complies with FCC RF radiation exposure limits set forth for an uncontrolled environment. This device and its antenna must not be co-located or operation in conjunction with any other antenna or transmitter.

4.1.3. Do not

Any changes or modifications to the equipment not expressly approved by the party responsible for compliance could void user's authority to operate the equipment.

4.2. MIC

4.3. CE

5. RF Information

5.1. Radio Frequency Range

2.402~2.480GHz

5.2. Number of Frequency Channel

79 channels

5.3. Transmission Method

FHSS(Frequency Hopping Spread Spectrum)

5.4. Modulation Method

GFSK(Gaussian-filtered Frequency Shift Keying)

5.5. Radio Output Power

Products	Radio Output Power
ESD100	+18dBm
ESD110	+18dBm
ESD200	+4dBm
ESD210	+4dBm

5.6. Receiving Sensitivity

Products	Receiving Sensitivity
ESD100	-88dBm
ESD110	-88dBm
ESD200	-80dBm
ESD210	-80dBm

5.7. Power Supply

Products	Power Supply
ESD100	DC3.3V
ESD110	DC3.3V
ESD200	DC3.3V
ESD210	DC3.3V

Appendix A: Connections

A.1. Pin Assignment

A.1.1. Parani-ESD100/110

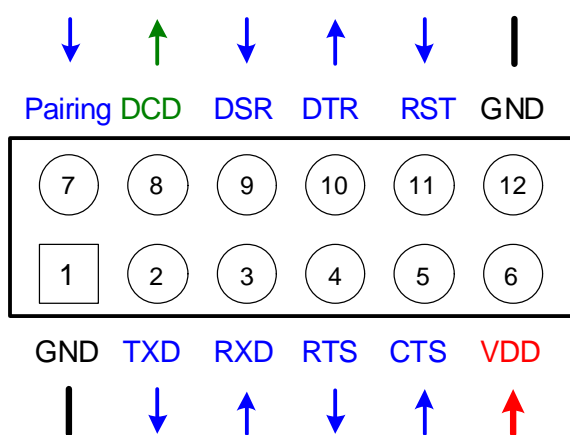


Figure A-1 Pin Assignment of Parani-ESD100/110

Table A-1. Pin Assignment of Parani-ESD100/110

Pin #	Signal	Direction	Description	Signal Level
1	GND	-	Power Ground	Ground
2	TxD	Output	UART Data Output	TTL
3	RxD	Input	UART Data Input	TTL
4	RTS	Output	UART Ready to Send	TTL
5	CTS	Input	UART Clear to Send	TTL
6	VDD	Input	DC Input (3.0~3.3V)	Power
7	Pairing	Input	Pairing Input (Active Low)	TTL
8	DCD	Output	Bluetooth Connect Detect (Active Low)	TTL
9	DSR	Input	Data Set Ready	TTL
10	DTR	Output	Data Terminal Ready	TTL
11	RST	Input	Reset (Active Low)	TTL
12	GND	-	Power Ground	Ground

A.1.2. Parani-ESD200/210

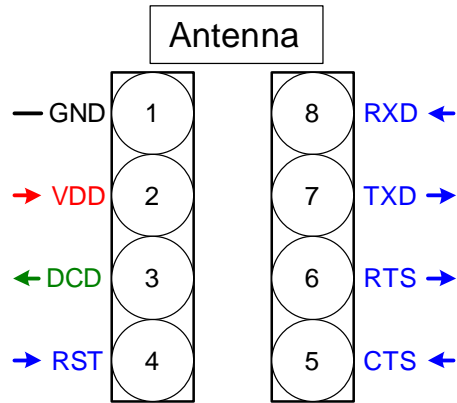


Figure A-2 Pin Assignment of Parani-ESD200/210

Table A-2 Pin Assignment of Parani-ESD200/210

Pin #	Signal	Direction	Description	Signal Level
1	GND	-	Power Ground	Ground
2	VDD	Input	DC Input (3.0~3.3V)	Power
3	DCD	Output	Bluetooth Connect Detect (Active Low)	TTL
4	RST	Input	Reset (Active Low)	TTL
5	CTS	Input	UART Clear to Send	TTL
6	RTS	Output	UART Ready to Send	TTL
7	TxD	Output	UART Data Output	TTL
8	RxD	Input	UART Data Input	TTL

A.1.3. DCD Signal (Status: Bluetooth Connect Detect)

Status of Bluetooth connection will be delivered to Host PC via DCD line. When Bluetooth connection is made, DCD signal will be in the OFF state. When disconnecting a Bluetooth connection, DCD signal will be in the ON state.

Connection Module → low signal

A.1.4. RST Signal

RST signal will be used for setting the Parani-ESD to factory defaults. RST should be on 0V status for at least 1 second for the reset to occur.

A.1.5. Pairing Signal (only for Parani-ESD100/110)

Parani-ESD100/110 provides a pairing signal input for instant configuration and automatic connection to two Parani-ESDs. In this example, we will name the two Parani-ESDs as ESD1 and ESD2.

Step 1. Turn off all the nearby Parani-ESDs

Step 2. Turn on ESD1 and ESD2 and hardware reset both of them by using RST signal.

Step 3. Set the pairing signal of ESD1 to a low state and hold the signal for 2 seconds.

Step 4. Set the pairing signal of ESD2 to a low state and hold the signal for 2 seconds. Set the pairing signal of ESD2 to high state and hold the signal for 2 seconds. Now Set the pairing signal of ESD2 to low state and hold it for 2 seconds

Step 5. Wait for ESD1 & ESD2 to connect to each other. It may take about 10 seconds to make a connection. If there are many Bluetooth devices nearby, the connection time may increase.

Step 6. At this point your pair of Parani-ESD is configured to make automatic connection to each other.

You can now use this pair of Parani-ESD's like virtual serial cable.

* Note: During the pairing process, by way of the pairing signal, the Command Response will be deactivated. Thus, the Parani-ESD will not send the response messages such as OK, Connect and Disconnect.

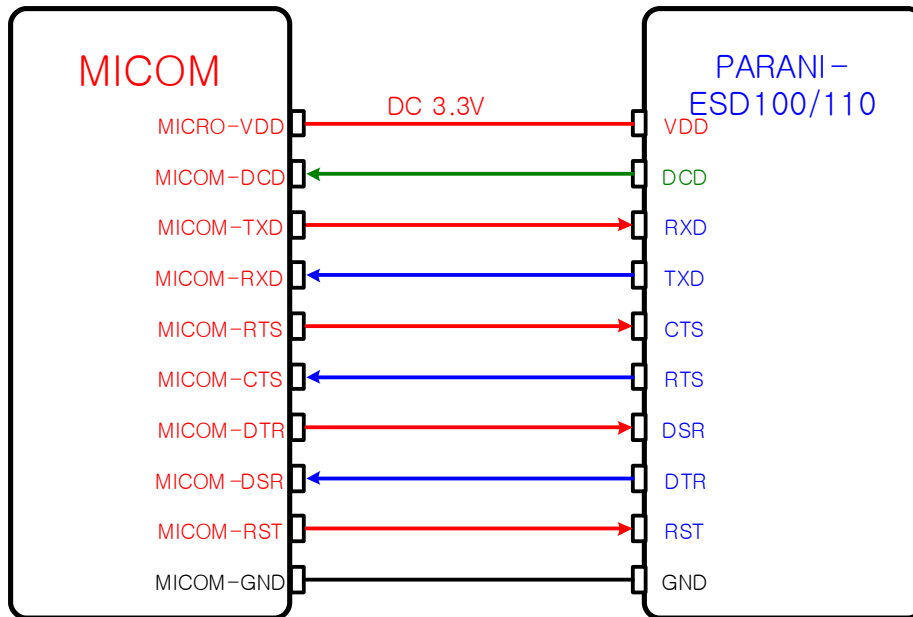
Table A-3 Pairing Process by Pairing Signal

ESD1	Status	Pairing Signal	ESD2	Status	Pairing Signal
1. Reset	Mode0	HIGH	1. Reset	Mode0	HIGH
2. Drop pairing signal	Mode3	LOW	2. Drop pairing signal	Mode3	LOW
3.Restore pairing signal	Mode3	HIGH	3.Restore pairing signal	Mode3	HIGH
			4. Drop pairing signal	Mode1	LOW
			5.Restore pairing signal	Mode1	HIGH
6. Connected	Slave	HIGH	6. Connected	Master	HIGH

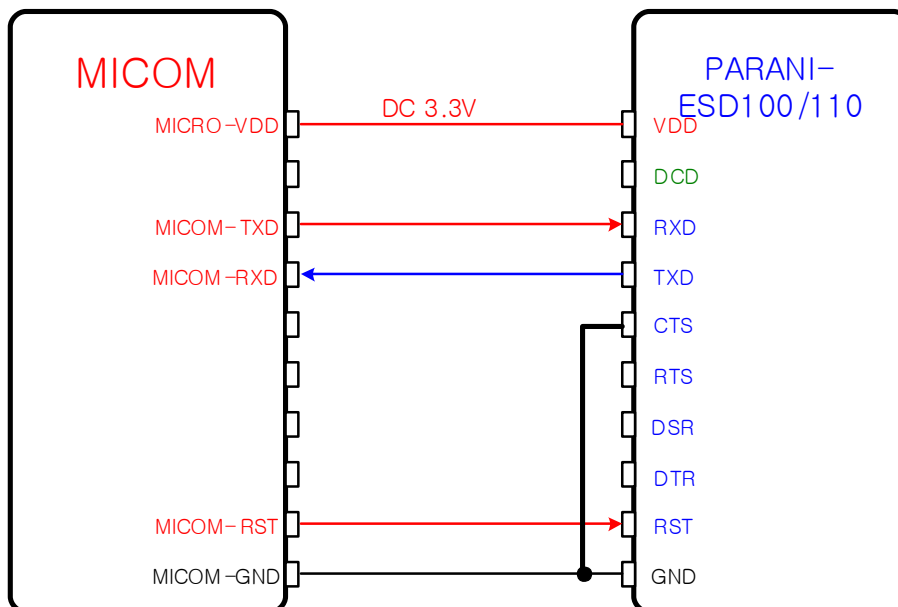
A.2. Connection Diagram

A.2.1. Parani-ESD100/110

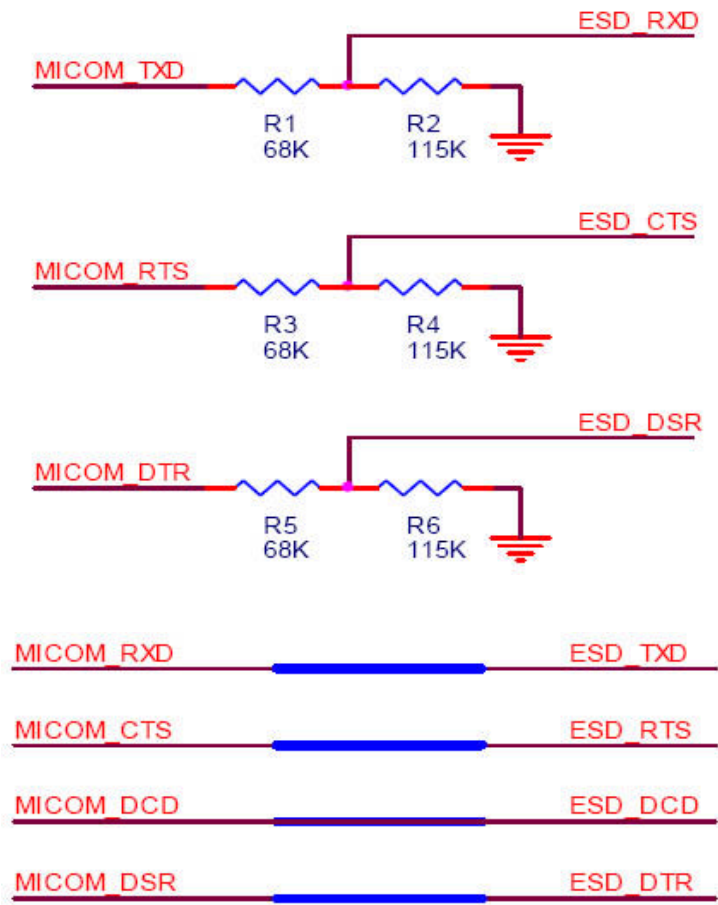
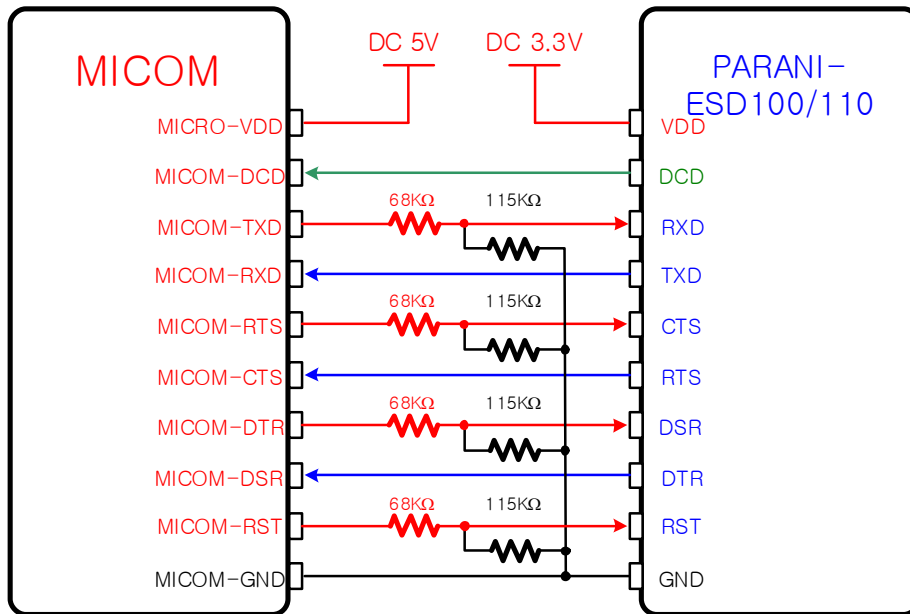
A.2.1.1. When TTL level of MICOM is 3.3V

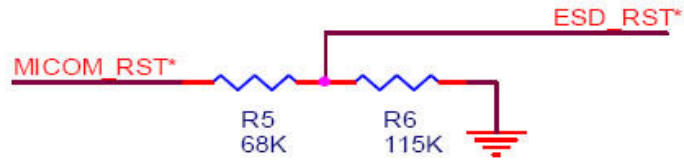


A.2.1.2. When TTL level of MICOM is 3.3V and Hardware Flow Control is not used



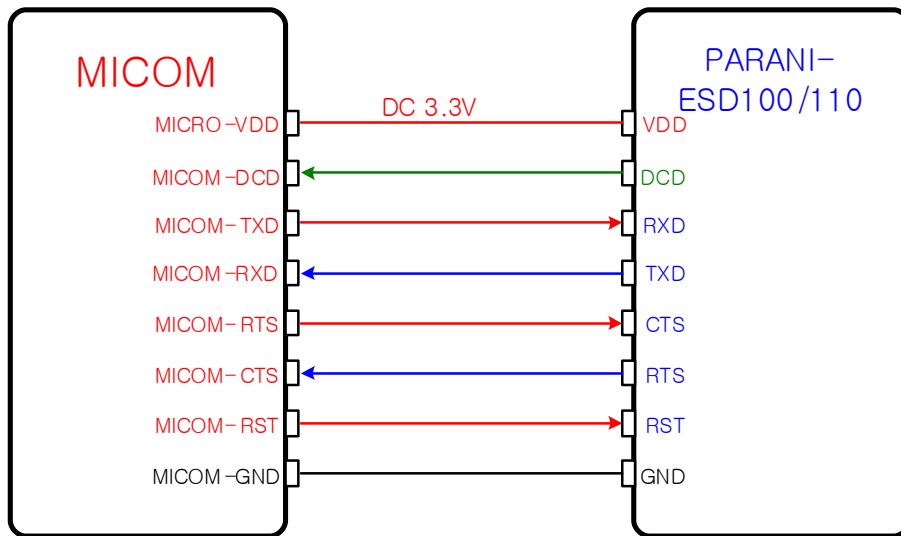
A.2.1.3. When TTL level of MICOM is 5V



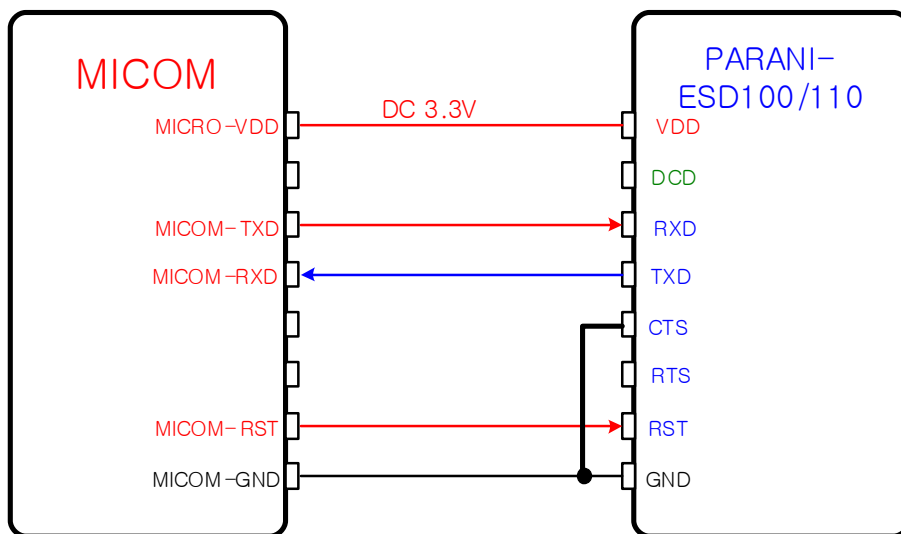


A.2.2. Parani-ESD200/210

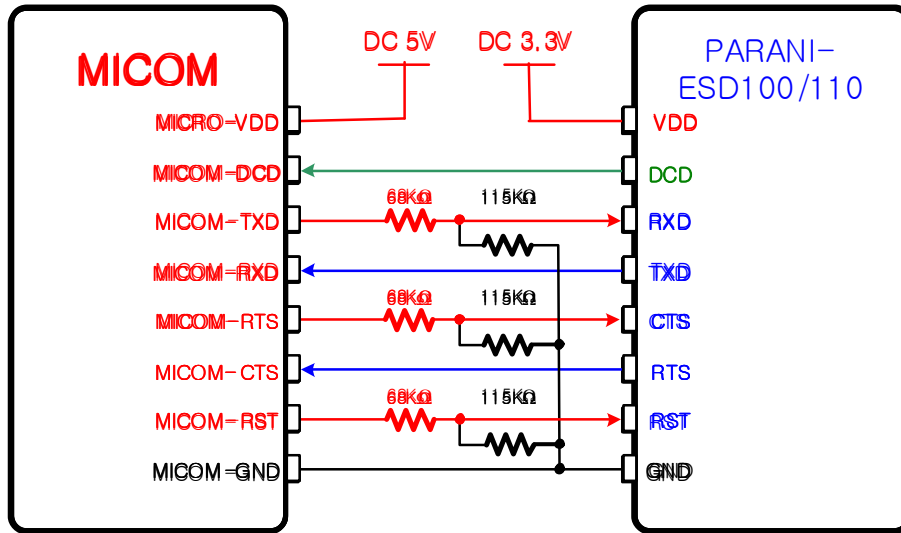
A.2.2.1. When TTL level of MICOM is 3.3V



A.2.2.2. When TTL level of MICOM is 3.3V and Hardware Flow Control is not used



A.2.2.3. When TTL level of MICOM is 5V



Appendix B: AT Commands

B.1. Terminology

B.1.1. AT Command

AT command set is a in fact standard language for controlling modems. The AT command set was developed by Hayes and is recognized by virtually all personal computer modems. Parani-ESD provides the extended AT command set to control and configure the serial parameters and Bluetooth connection.

B.1.2. AT Response

Parani-ESD replies to AT commands with 4 kinds of message, 'OK', 'ERROR', 'CONNECT' and 'DISCONNECT'.

B.1.3. Operation Mode

Mode	Description
Mode0	Waiting for AT commands
Mode1	Attempting to connect to the last connected Bluetooth device
Mode2	Waiting for a connection from the last connected Bluetooth device
Mode3	Waiting for the connection from another Bluetooth device

B.1.4. Operation Status

Status	Description
Standby	Waiting for AT commands
Pending	Executing tasks
Connect	Transmitting data

B.1.5. Security

Security	Description
Authentication	Pin Code (or Pass key)
Encryption	Data encryption

B.1.6. Symbols

The symbols are used for the description of command syntax as follows:

Symbols	Meaning	ASCII Code
↵	Carriage return	0x0D
↵	Line feed	0x0A
↵↵	Carriage return + Line feed	
00112233445566	Bluetooth device address	
N or m	One digit decimal number	
To	Timeout in seconds	

B.2. Command Category

Command Category	Index	AT Commands				
RESET	1 2	ATZ AT&F				
SERIAL PORT	3 4	AT AT+UARTCONFIG,b,p,s,h				
BLUETOOTH	Information	5 6 7 8 9	AT+BTINFO? AT+BTINQ? AT+BTLAST? AT+BTVER? AT+BTRSSI,n			
		Mode	10	AT+BTMODEn		
		Status	11 12 13 14 15 16 17	+++ AT+SETESC,nn ATO AT+BTCANCEL AT+BTSCAN AT+BTSCAN,n,to AT+BTSCAN1 12233445566,to		
			Connection	18 19 20	ATD ATD112233445566 ATH	
				Security	21 22 23 24 25	AT+BTKEY=\$string AT+BTSD? AT+BTCSD AT+BTFP,n AT+BTSEC,a,e
	Miscellaneous				26 27 28	AT+BTNAME=\$string AT+BTLPM,n AT+DFU
			S-REGISTER		29 30 31	AT&V ATSnn? ATSnn=mm

B.3. Command Description

B.3.1. ATZ↵

SD Response	↵OK↵
Purpose	Software Reset
Description	This has the same effects as Powercycling the unit. This command disconnects any connected Bluetooth device, and stops ongoing tasks. After rebooting, the status will be decided by the preset operation mode. Some AT commands require the ATZ command be run so that the commands can take effect.
Reference	AT&F, AT+BTCSD, AT+UARTCONFIG

B.3.2. AT&F↵

SD Response	↵OK↵
Purpose	Hardware reset
Description	This has the same effect as initialization by pressing the factory reset button. All parameters are initialized to factory defaults
Reference	ATZ

B.3.3. AT↵

SD Response	↵OK↵
Purpose	Check the connection status with host equipment
Description	Check if the connection to host equipment is operating normally. The serial parameters of Parani-ESD must be same as those of host equipment. If not, the ESD will not respond or 'ERROR' message will appear or an abnormal sequence of strings will appear.
Reference	AT+UARTCONFIG, ATZ, AT&F

B.3.4. AT+UARTCONFIG,Baudrate,Parity,Stopbit,Hwfc↵

SD Response	↵OK↵
Purpose	Set Serial parameters
Parameters	Baudrate=1200/2400/9600/14400/19200/38400/57600/115200/230400 (Default=9600) Parity=N/E/O (Default=N) Stopbit=1/2 (Default=1) Hwfc(Hardware Flow Control)=0/1 (Default=1)
Description	The Serial parameters can be set or changed. The factory default is 9600, N, 1. To take effect the ATZ command must be used or Powercycle the unit.
Reference	AT, ATZ, AT&F, ATS
Example	AT+UARTCONFIF,9600,N,1

B.3.5. AT+BTINFO?↵

SD Response	↵112233445566,DeviceName,Mode,Status,Auth,Encryp,FlowControl↵ ↵OK↵
Purpose	Display Bluetooth settings
Description	The current Bluetooth settings are displayed including BD address, Device name, Operation mode, Operation status, Authentication, Data Encryption, and Hardware Flow Control. The initial value of Device name is 'E SD100v1.0.0-445566'. ESD stands for Parani-ESD, v1.0.0 for the version of firmware, and 445566 for the last 6 digits of BD address. Mode=MODE0/MODE1/MODE2/MODE3 Status=STANDBY/PENDING/CONNECT Auth=0/1 (Authentication is not activated when 0) Encrypt=0/1 (Encryption is not activated when 0) FlowControl=HWFC/NoFC
Reference	AT+BTNAME, AT+BTMODE, AT+BTSEC, AT+BTNAME?
Example	↵000B530011FF,SENA,MODE0,PENDING,1,1,HWFC↵

B.3.6. AT+BTINQ?↵

SD Response	↵112233445566,FriendlyName,CoD↵ ↵112233445566,FriendlyName,CoD↵ ↵112233445566,FriendlyName,CoD↵ ↵OK↵
Purpose	Search Bluetooth devices nearby
Description	The Bluetooth devices in Inquiry scan mode nearby are displayed with their BD addresses, Device names, and Class of device. Maximum 15 devices are scanned for 30 seconds.
Reference	AT+BTSCAN, ATD, AT+BTINFO?

B.3.7. AT+BTLAST?↵

SD Response	↵112233445566↵
Purpose	Display the BD address of the last connected device
Description	The Bluetooth device last connected to this Parani-ESD is displayed with its BD address.
Reference	AT+BTSCAN, ATD, AT+BTINFO?, AT+BTINQ?

B.3.8. AT+BTVER?↵

SD Response	↵SD100v1.0.0↵ ↵OK↵
Purpose	Display device firmware version
Description	Display device firmware version
Reference	AT+BTINFO?

B.3.9. AT+BTRSSI,n↵

SD Response	↵OK↵ ↵0,255,0,0↵ (repeatedly)
Purpose	Test signal strength
Parameters	n=0: Start signal strength test n=1: Stop signal strength test
Description	When Bluetooth connection is established, you can use this command in Standby status. The signal strength will be displayed repeatedly in order of Status, LinkQuality, Status, RSSI. If the LinkQuality is close to 255 and RSSI is close to 0, the signal strength is in good standing.
Example	+++ AT+BTRSSI,1 ↵OK↵ 0,255,0,0

B.3.10. AT+BTMODE,n↵

SD Response	↵OK↵
Purpose	Set operation mode
Parameters	n=0: MODE0 (Default) n=1: MODE1 n=2: MODE2 n=3: MODE3
Description	When the operation status is 'Pending' currently, change the status to 'Standby' with AT+BTCANCEL prior to this command. To take effect the ATZ must be executed or Powercycle the unit
Reference	AT+BTINFO?
Example	AT+BTMODE,2 ↵OK↵ ATZ

B.3.11. +++↵

SD Response	↵OK↵
Purpose	Convert the operation status of 'Connect' to 'Standby'
Description	In 'Connect' status, data from host is transmitted to the other side Bluetooth device, and any AT command is not accepted but this command, which is not echoed on the screen. When Parani-ESD encounters a character '+' from host, it stops the data transmission and waits for next 2 characters. If the next 2 characters aren't both '+', it restart to transmit data including the first '+' as well. If not, it converts the operation status to 'Standby'. If the data from host includes '+++', it will convert the operation status to 'Standby'. Notice that Parani-ESD holds data transmission when it encounters '+', until receiving next character. '+' is an escape sequence character by default, which is changeable by AT+SETESC.
Reference	AT+SETESC, ATO, AT+BTCANCEL

B.3.12. AT+SETESC,nn↵

SD Response	↵OK↵
Purpose	Change the escape sequence character
Description	Escape sequence character set to '+' by default is changeable. The parameter nn must be a printable character.
Reference	+++ , ATO
Example	AT+SETESC,42

B.3.13. ATO↵

SD Response	None
Purpose	Convert the operation status of 'Standby' to 'Connect'
Description	You can convert the operation status of 'Standby' to 'Connect' ready to transmit data.
Reference	+++ , AT+SETESC

B.3.14. AT+BTCANCEL↵

SD Response	↵OK↵
Purpose	Terminate the current executing task
Description	This terminates a current executing task, such as Inquiry scan and Page scan, then converts the operation status to 'Standby'
Reference	AT+BTSCAN, ATD, AT+BTINQ?

B.3.15. AT+BTSCAN↵

SD Response	↵OK↵ ↵CONNECT 112233445566↵
Purpose	Wait for inquiry and connection from other Bluetooth devices
Description	This allows the inquiry and connection from the other Bluetooth devices. The operation status will be in 'Pending' after this command. When connection is made and released, the operation status is back to 'Pending'. To convert the operation status to 'Standby' AT+BTCANCEL must be used. This has the same effect as AT+BTSCAN,3,0. When connection is made with other Bluetooth device, SD response will be 'CONNECT' with its BD address.
Reference	ATD, AT+BTINQ?, AT+BTCANCEL

B.3.16. AT+BTSCAN,n,to↵

SD Response	↵OK↵ ↵CONNECT 112233445566↵
--------------------	--------------------------------

	or ↵OK↵ ↵ERROR↵
Purpose	Wait for inquiry and connection from other Bluetooth devices for a given duration
Parameters	n=1: Allows Inquiry scan n=2: Allows Page scan n=3: Allows both of Inquiry scan and Page scan to= Time duration in seconds
Description	For the given to, Parani-ESD is waiting for the inquiry and connection from other Bluetooth devices. If the parameter of to is 0, it will wait forever. When connection is made with other Bluetooth device, SD response will be 'CONNECT' with its BD address. If there is no connection made within this time duration, SD response is 'ERROR' and the operation status becomes to 'Standby'.
Reference	ATD, AT+BTINQ?, AT+BTCANCEL
Example	AT+BTSCAN,2,30

B.3.17. AT+BTSCAN112233445566,to↵

SD Response	↵OK↵ ↵CONNECT 112233445566↵ or ↵OK↵ ↵ERROR↵
Purpose	Wait for connection by the Bluetooth device with given BD address
Parameters	112233445566=BD address to= time duration in seconds
Description	Parani-ESD will wait to be connected to by the Bluetooth device with the given BD address. If the parameter of to is 0, it will wait forever. When connection is made with the Bluetooth device, SD response will be 'CONNECT' with its BD address. If there is no connection made within this time duration, SD response is 'ERROR' and the operation status becomes to 'Standby'.
Reference	ATD, AT+BTINQ?, AT+BTCANCEL
Example	AT+BTSCAN000B530011FF,30

B.3.18. ATD↵

SD Response	↵OK↵ ↵CONNECT 112233445566↵ or ↵OK↵ ↵ERROR↵
Purpose	Connect to the last connected Bluetooth device
Description	Parani-ESD saves the BD address of the Bluetooth device most recently connected to. If it fails to make a connection, SD response will display an 'ERROR'.
Reference	AT+BTINQ?, AT+BTSCAN

B.3.19. ATD112233445566↵

SD Response	↵OK↵ ↵CONNECT 112233445566↵ or ↵OK↵ ↵ERROR↵
Purpose	Connect to a specific Bluetooth device with a given BD address
Parameters	112233445566=BD address
Description	Parani-ESD attempts to connect to the Bluetooth device with the given BD address. To make successful connection, the Bluetooth device must be in Page scan mode. This attempt continues for 5 minutes. If it fails to make connection, SD response is 'ERROR'.
Reference	AT+BTINQ?, AT+BTSCAN
Example	ATD000B530011FF

B.3.20. ATH↵

SD Response	↵OK↵ ↵DISCONNECT↵
Purpose	Release the current connection
Description	The current Bluetooth connection will be disconnected. It takes about 30 seconds to detect an abnormal disconnection such as power off and moving out of service range.
Reference	ATD, AT+BTSCAN

B.3.21. AT+BTKEY=\$string↵

SD Response	↵OK↵
Purpose	Change pin code
Parameters	\$string= New pin code (Default="1234")
Description	Pin code is a string, which allows up to 16 alpha-numeric characters. Based on this pin code, Parani-ESD generates a link key which is used in actual authentication process
Reference	AT+BTCSD, AT+BTFP, AT+BTSD?, AT+BTSEC, ATZ, AT&F
Example	AT+BTKEY="apple"

B.3.22. AT+BTSD? ↵

SD Response	↵112233445566↵ ↵OK↵
Purpose	Display a list of Bluetooth devices sharing the same pin code
Description	Once a connection is made with a pin code, Parani-ESD saves the Bluetooth device with its link key, generated by the pin code. The connection to a device listed in Parani-ESD can be made automatically without the authentication process. The maximum number kept on the list is 5.
Reference	AT+BTCSD, AT+BTFP, AT+BTKEY, AT+BTSEC, ATZ, AT&F

B.3.23. AT+BTCSD↵

SD Response	↵OK↵
Purpose	Clear the list of Bluetooth devices sharing the same pin code
Description	This clears the list of Bluetooth devices linked with the same key in flash memory. To take effect the ATZ command must be used or Powercycle the unit.
Reference	AT+BTFTP, AT+BTKEY, AT+BTSD?, AT+BTSEC, ATZ, AT&F

B.3.24. AT+BTFP,n↵

SD Response	↵OK↵
Purpose	Set generation of link key every time of connection
Parameters	n=0: Inactivate (Default) n=1: Activate
Description	If n is set to 1, Parani-ESD asks for the pin code every time a connection is made. This can be used to increase security.
Reference	AT+BTCSD, AT+BTKEY, AT+BTSD?, AT+BTSEC, ATD, ATZ, AT&F

B.3.25. AT+BTSEC,Authentication,Encryption↵

SD Response	↵OK↵
Purpose	Set authentication and data encryption
Parameters	<i>Authentication</i> =0: Inactivate (Default) <i>Authentication</i> =1: Activate <i>Encryption</i> =0: Inactivate (Default) <i>Encryption</i> =1: Activate
Description	If the authentication is activated, the pin code must be set by AT+BTKEY command. Data encryption cannot be used when authentication is not enabled, i.e. <i>Authentication</i> =0 and <i>Encryption</i> =1 will not work properly.
Reference	AT+BTCSD, AT+BTFP, AT+BTSD?, AT+BTSEC?, ATZ, AT&F

B.3.26. AT+BTNAME=\$string↵

SD Response	↵OK↵
Purpose	Change device name
Parameters	<i>\$string</i> = New device name (Default="PSDv3b-445566")
Description	Parani-ESD can have a user friendly name for easy identification. The name allows up to 30 alpha-numeric characters.
Reference	AT+BTINFO?, AT+BTINQ?
Example	AT+BTNAME="My-Parani-ESD"

B.3.27. AT+BTLPM,n↵

SD Response	↵OK↵
Purpose	Set low power mode
Parameters	n=0: Inactivate (Default) n=1: Activate
Description	During no data transmission, Parani-ESD can be in low power mode to save the power. It takes a few seconds to wake the Parani-ESD out of low power mode.

B.3.28. AT+DFU↵

SD Response	(Display garbage messages repeatedly)
Purpose	Device firmware update
Description	DO NOT use this command in console. Because the Parani-ESD enter into firmware update mode, garbage messages will appear. This command is used by ParaniUpdater.

B.3.29. AT&V↵

SD Response	↵S0:m0;S1:m1; ...Sn:mn↵ ↵OK↵
Purpose	Display all the S-register
Description	All parameters are stored at S-register in flash memory. These values are sustained until hardware reset.
Reference	ATS

B.3.30. ATSn? ↵

SD Response	↵value↵ ↵OK↵
Purpose	Display a given S-register
Parameters	nn= Address of S-register
Description	A specific S-register will be displayed.
Reference	AT&V

B.3.31. ATSn=mm↵

SD Response	↵OK↵
Purpose	Change S-register value
Parameters	nn= Address of S-register mm= New value of S-register
Description	Some S-registers are optimized for the overall performance and protected and cannot be

	changed. When users try to change these S-registers, SD response is 'ERROR'. For details of S-register, refer Appendix. B.
Reference	AT&V
Example	ATS10=0

B.4. Command Validity

AT Command	Operation Status		
	Standby	Pending	Connect
AT	○	○	
ATZ	○	○	
AT&F	○	○	
AT+BINQ?	⊙		
ATD112233445566	⊙		
ATD	⊙		
AT+BTSCAN	⊙		
AT+BTSCAN,n,to	⊙		
AT+BTSCAN112233445566,to	⊙		
AT+BTCANCEL		○	
+++			○
AT+SETESC	⊙		
ATO	●		
ATH	●		
AT+BTSEC,Auth,Encr	⊙		
AT+BTLAST?	○	○	
AT+BTMODEn	⊙		
AT+BTNAME="Name"	⊙		
AT+BTKEY="nnnn"	⊙		
AT+BTINFO?	○		
AT+BTLPM,n	⊙		
AT+BTSD?	○	○	
AT+BTCSD	⊙		
AT+BTFP,n	⊙		
AT+UARTCONFIG,b,p,s,h	⊙		
AT+USEDIP?	○	○	
AT+BTVER?	○	○	
AT+DFU	⊙	⊙	

AT+BTRSSI,n	<input checked="" type="radio"/>		
-------------	----------------------------------	--	--

- Ⓒ Valid only when Parani-ESD is not connected to other Bluetooth device.
- Valid only when Parani-ESD is connected to other Bluetooth device.

Appendix C: S-Register

S-registers contains 46 parameters for the Parani-ESD. These are stored in flash memory and the values will be saved unless hardware reset is executed. The value of S-register can be accessed and changed with ATS command. Some S-registers not shown below are set to maximize the performance of Parani-ESD. Thus it is not recommended to change these S-registers.

Change the value of S-register only in Standby status. Turn ESD off and on.

C.1. S1: Force to Reconnect (default 1)

S1=0, Parani-ESD in Mode1 does not try to reconnect when disconnected.

S1=1, Parani-ESD in Mode1 keeps trying to reconnect when disconnected.

C.2. S3: Stream UART Policy (default 0)

S3=0, the priority of UART streaming is throughput.

S3=1, the priority is latency, which minimizes the delay of data transmission. This is useful in case of transmitting very small data quickly.

When this value is 1, in order to minimize latency, ESD sends the received data immediately. When this value is 0, the ESD maximizes throughput, the ESD stores received data for a short time and sends a large data packet. If the packet length is less than 100 bytes, having latency being the priority is recommended. If the packet length is more than 100 bytes, having throughput as the priority is recommended. Also, if you want to use high baudrate, throughput priority will be more effective. Just for reference, the buffer length for receiving data is 2 Kbytes.

C.3. S4: Enable Remote Name Query (default 1)

S4=0, Parani-ESD will query only the BD address. This speeds up the inquiry process.

S4=1, Parani-ESD will query the BD address, device name and class of device.

When this value is 1, ESD finds not only BD address but also friendly name. When this value is 0, ESD finds only BD address. When set to 0 this will make queries much faster. When using the pairing button, finding friendly name will be omitted automatically.

C.4. S6: Enable Low Power Mode (default 0)

S10=0, deactivate Low Power Mode.

S10=1, activate Low Power Mode.

This value decides whether ESD works in Low Power Mode or not. When this value is 0, ESD works only in active power mode. When ESD works in Low Power mode, delay in transferring data may occur.

C.5. S10: Enable Response Message (default 1)

S10=0, Parani-ESD does not send response messages to the host system.

S10=1, Parani-ESD sends response messages to host system.

This value decides whether ESD sends response messages such as OK, ERROR, CONNECT, DISCONNECT or not. When this value is 0, ESD will not send any response messages. If the response messages conflicts with your host programs or devices that is connected to ESD, change this value to 0.

C.6. S11: Enable Escape (default 1)

S11=0, Parani-ESD does not allow escape sequence characters. The operation status of Connect cannot be changed to Standby. Since the Parani-ESD skips the process of detecting escape sequence characters, more efficient data transmission can be had.

S11=1, Parani-ESD allows for the escape sequence character. Whenever it is needed, the Connect status can be changed to Standby.

C.7. S12: Clear Data Buffer When Disconnected (default 0)

S12=0, Parani-ESD does not clear the data buffer received from host system when disconnected.

S12=1, Parani-ESD clears the data buffer when disconnected.

C.8. S13: Enable DCD Signal (default 1)

S13=0, DCD signal off

S13=1, DCD signal on

C.9. S14: Enable DTR Transfer (Only ESD100/110, default 1)

S14=0, DTR/DSR signal is transferred in a loop-back fashion..

S14=1, DTR signal is transferred to DSR of remote device.

C.10. S15: Enable Disconnect by DTR (Only ESD100/110, default 0)

S15=0, DTR signal cannot release the connection.

S15=1, The Bluetooth connection can be released when DTR signal is off.

This value decides whether Bluetooth connection is released when DTR signal drops or not. If this value is 1, you can use DTR signal in order to disconnect Bluetooth connection.

C.11. S22: Faster Connection (default 0)

S22=0, none

S22=1, page scan

S22=2, inquiry scan

S22=3, page/inquiry scan

C.12. S24: Maximum Number of Inquiry Result (default 10)

The maximum number of inquiry list can be controlled. This value is up to 15.

C.13. S28: Escape Sequence Character (default 43)

The decimal number of the ASCII code of escape sequence character can be controlled. The initial value is 43, the ASCII code of '+'.
value is 43, the ASCII code of '+'.

C.14. S31: Page Timeout (default 300)

This is the timeout in seconds to attempt connection with the ATD command. After this timeout expires, the SD will restart automatically. If this value is 0, SD will attempt to connect without restarting

C.15. S33: Inquiry Timeout (default 30)

This is the timeout in seconds to execute inquiry scan.

C.16. S37: Supervision Timeout (default 16000)

This is the timeout in 625 μ sec to presume disconnection, which is set to 16000 initially.
16000 \times 625 μ sec=10sec)

The smaller the value becomes, the more quickly Parani-ESD can detect an abnormal disconnection. But when the communication is suspended, it may be regarded as disconnection.

C.17. S46: BD Address of Last Connected Device

This saves the BD address of the Bluetooth device connected most recently.

Appendix D: Trouble Shooting

D.1 No Data Transmission

D.1.1 Device Settings

Check whether the Baud rate of Parani-ESD matches that of its host equipment.

Check whether the host equipment of Parani-ESD uses Hardware Flow Control. Parani-ESD is initially set to Use of Hardware Flow Control. If your host equipment does not use Hardware Flow Control, please disable the Hardware flow control option by ParaniWIN or AT command.

D.2 Data Loss or Malfunctioning

D.2.1 Hardware Flow Control

When transmitting large amounts of data with No Hardware Flow Control, Parani-ESD may clear the data buffer unexpectedly. The possibility becomes greater as the RF transmission environment becomes worse.

D.2.2 Response Message

AT response messages from the Parani-ESD may affect the host system unexpectedly. Do not use Parani-ESD if your applications cannot allow for this wireless time delay.

D.3 Transmission Delay

D.3.1 RF Processing Delay

It takes 30msec approximately for a Parani-ESD to complete a data transmission to the other Bluetooth device. This time delay cannot be reduced and may enlarge as the RF transmission environment becomes worse. Do not use Parani-ESD if your applications cannot allow for this time delay.

D.3.2 RF Transmission Environment

If there are many Bluetooth devices working in a small area and/or the RF communication distance is too great and/or there are some obstacles affecting RF performance, the Parani-ESD repeats the

transmission packet by packet due to interferences and/or low RF performance. This may lead to increased data transmission time delays.

Appendix E: Warranty

E.1. GENERAL WARRANTY POLICY

Sena Technologies, Inc. (hereinafter referred to as SENA) warrants that the Product shall conform to and perform in accordance with published technical specifications and the accompanying written materials, and shall be free of defects in materials and workmanship, for the period of time herein indicated, such warranty period commencing upon receipt of the Product.

This warranty is limited to the repair and/or replacement, at SENA's discretion, of defective or non-conforming Product, and SENA shall not be responsible for the failure of the Product to perform specified functions, or any other non-conformance caused by or attributable to: (a) any misapplication or misuse of the Product; (b) failure of Customer to adhere to any of SENA's specifications or instructions; (c) neglect of, abuse of, or accident to, the Product; or (d) any associated or complementary equipment or software not furnished by SENA.

Limited warranty service may be obtained by delivering the Product to SENA or to the international distributor it was purchased through and providing proof of purchase or receipt date. Customer agrees to insure the Product or assume the risk of loss or damage in transit, to prepay shipping charges to SENA, and to use the original shipping container or equivalent.

E.2. LIMITATION OF LIABILITY

EXCEPT AS EXPRESSLY PROVIDED HEREIN, SENA MAKES NO WARRANTY OF ANY KIND, EXPRESSED OR IMPLIED, WITH RESPECT TO ANY EQUIPMENT, PARTS OR SERVICES PROVIDED PURSUANT TO THIS AGREEMENT, INCLUDING BUT NOT LIMITED TO THE IMPLIED WARRANTIES OF MERCHANTABILITY AND FITNESS FOR A PARTICULAR PURPOSE. NEITHER SENA NOR ITS DEALER SHALL BE LIABLE FOR ANY OTHER DAMAGES, INCLUDING BUT NOT LIMITED TO DIRECT, INDIRECT, INCIDENTAL, SPECIAL OR CONSEQUENTIAL DAMAGES, WHETHER IN AN ACTION IN CONTRACT OR TORT (INCLUDING NEGLIGENCE AND STRICT LIABILITY), SUCH AS, BUT NOT LIMITED TO, LOSS OF ANTICIPATED PROFITS OR BENEFITS RESULTING FROM, OR ARISING OUT OF, OR IN CONNECTION WITH THE USE OF FURNISHING OF EQUIPMENT, PARTS OR SERVICES HEREUNDER OR THE PERFORMANCE, USE OR INABILITY TO USE THE SAME, EVEN IF SENA OR ITS DEALER HAS BEEN ADVISED OF THE POSSIBILITY OF SUCH DAMAGES. IN NO EVENT WILL SENA OR ITS DEALERS TOTAL LIABILITY EXCEED THE PRICE PAID FOR THE PRODUCT.

E.3. HARDWARE PRODUCT WARRANTY DETAILS

WARRANTY PERIOD: SENA warranties embedded hardware Product for a period of one (1) year, and external hardware Product for a period of three (3) or five (5) years according to the Product type.

WARRANTY PROCEDURE: Upon return of the hardware Product SENA will, at its option, repair or replace Product at no additional charge, freight prepaid, except as set forth below. Repair parts and replacement Product will be furnished on an exchange basis and will be either reconditioned or new. All replaced Product and parts become the property of SENA. If SENA determines that the Product is not under warranty, it will, at the Customers option, repair the Product using current SENA standard rates for parts and labor, and return the Product at no charge in or out of warranty.

WARRANTY EXCLUSIONS: Damages caused by

- Accidents, falls, objects striking the SENA product,
- Operating the Product in environments that exceed SENA's temperature and humidity specifications,
- Power fluctuations, high voltage discharges,
- Improper grounding, incorrect cabling,
- Misuse, negligence by the customer or any other third party,
- Failure to install or operate the product (s) in accordance to their SENA User Manual,
- Failure caused by improper or inadequate maintenance by the customer or any other third party,
- Floods, lightning, earthquakes,
- Water spills,
- Replacement of parts due to normal wear and tear,
- Hardware has been altered in any way,
- Product that has been exposed to repair attempts by a third party without SENA's written consent,
- Hardware hosting modified SENA Software, or non-SENA Software, unless modifications have been approved by SENA.
- Battery component capacity degradation due to usage, aging, and with some chemistry, lack of maintenance.

E.4. SOFTWARE PRODUCT WARRANTY DETAILS

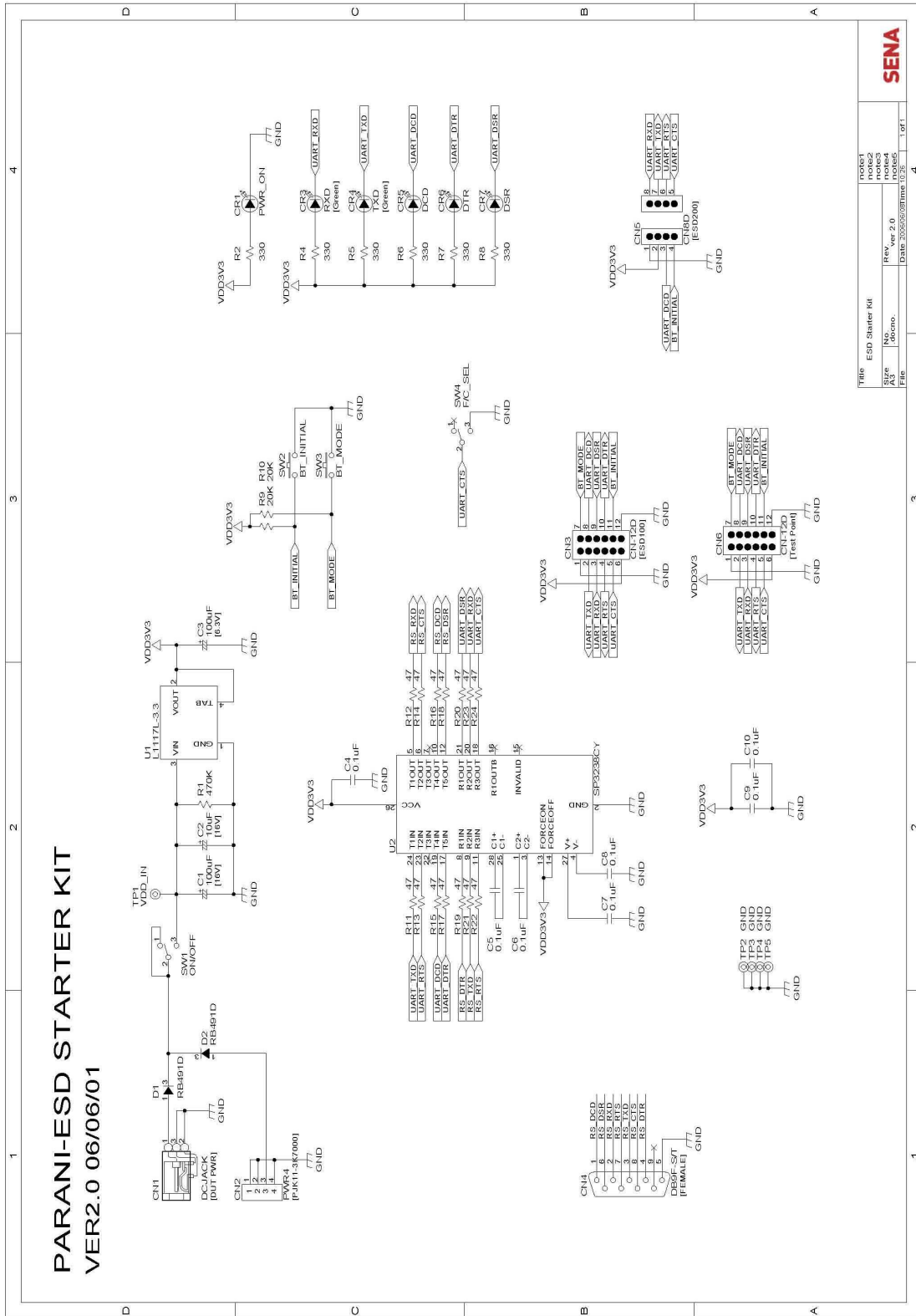
WARRANTY PERIOD: SENA warranties software Product for a period of one (1) year.

WARRANTY COVERAGE: SENA warranty will be limited to providing a software bug fix or a software patch, at a reasonable time after the user notifies SENA of software non-conformance.

E.5. THIRD-PARTY SOFTWARE PRODUCT WARRANTY DETAILS

The warranty policy of the third-party software is conformed to the policy of the corresponding vendor

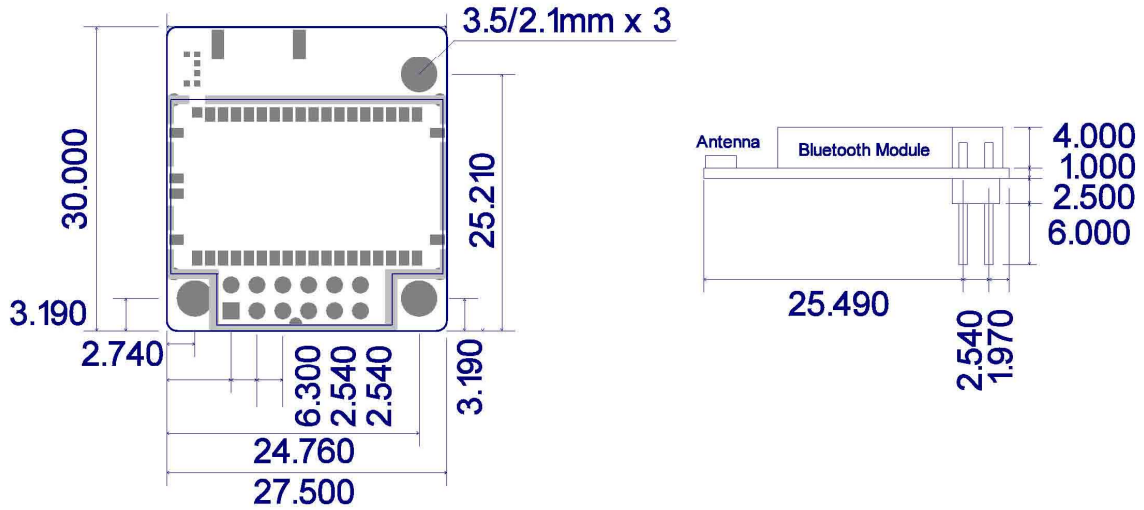
Appendix F: How make a RS232 interface Jig Board



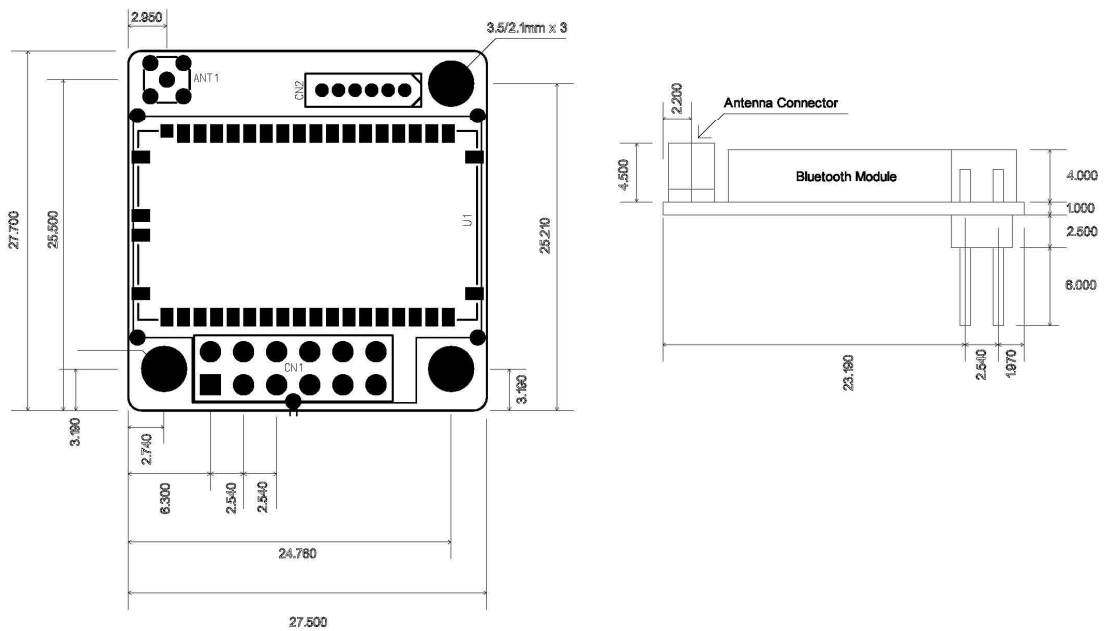
Title: ESD Starter Kit		Notes:
Size: A3	Rev: Ver 2.0	Notes:
File:	Date: 2005/09/08 Time: 17:32	Notes:
		1 of 1

SENA

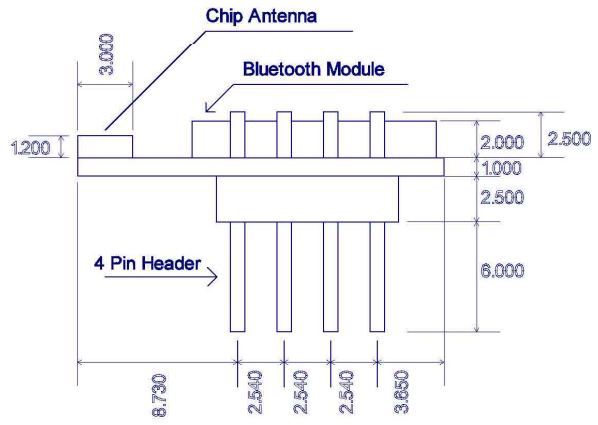
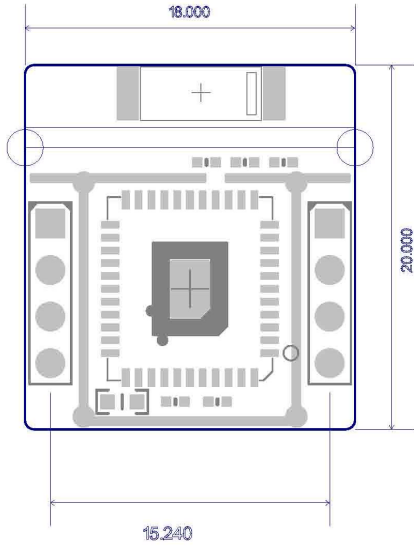
Appendix G: ESD100/110/200/210 PCB mechanical drawing



Parani-ESD110_Dimension



Parani-ESD200_v1.3_Dimension



Parani-ESD210_Dimension

