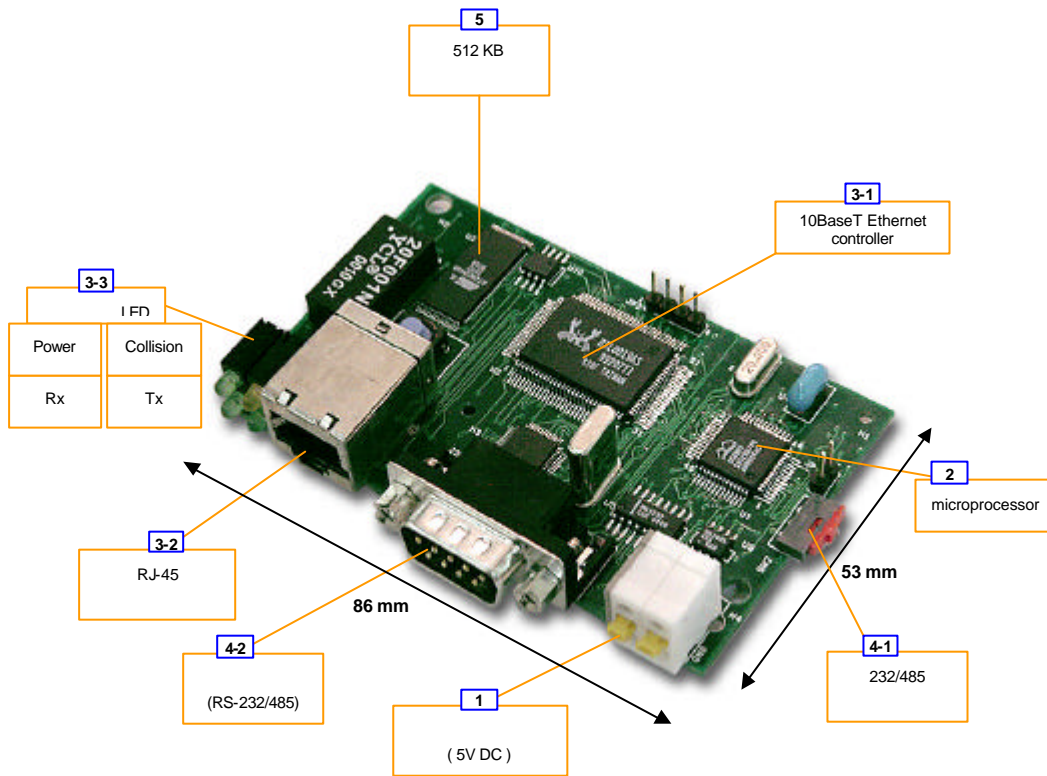


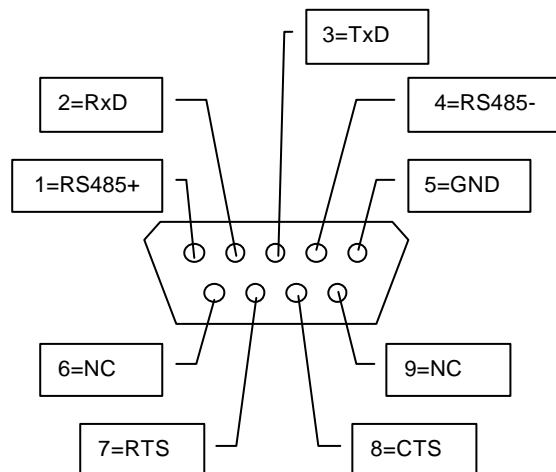
NOTE: RS485

1. HelloDevice 1300



2. DSUB

RS232 RS485
 RS485/232 (SW2)

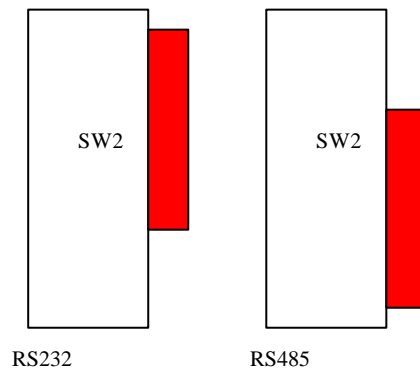


Pin			
1	RS485+	RX485+	485 Data line
2	RxD	Receive Data	Data Input
3	TxD	Send Data	Data Output
4	RS485-	RX485-	485 Data line
5	GND	Signal Ground	-
6	NC	Not connected	-
7	RTS	Ready To Send	Handshake Output (+12V=Ready to Rx, -12V=Not Ready to Rx)
8	CTS	Clear To Send	Data sent
9	NC	Not connected	Data sent only at +3V ~ 12V

3. RS232/485

HelloDevice

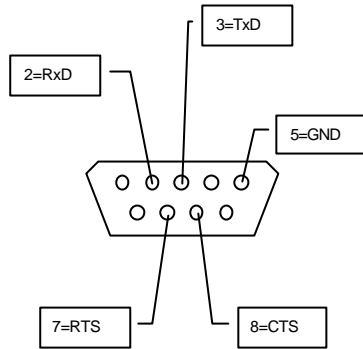
, RS232 RS485 ,



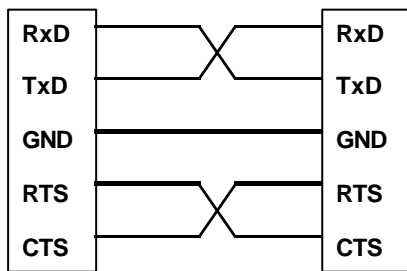
4.

1) RS232

HelloDevice

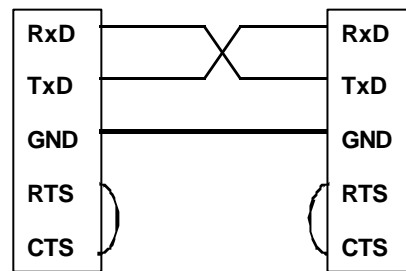


HelloDevice



(a)

HelloDevice



(b)

HelloDevice

RS232

RxD, TxD, RTS, CTS

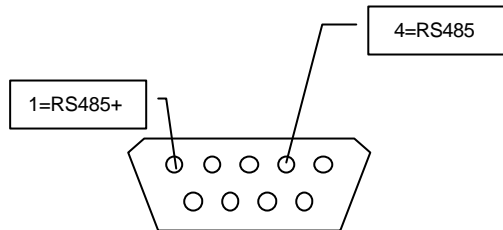
2) RS485

HelloDevice

RS485

RS485+(Pin 1), RS485-(Pin 4)

HelloDevice



HelloDevice

